



Table of Contents

Angles

Equal Legs, Fillets & Round Toes	Metric / Imperial
Equal Legs, Round Fillets, Square Toes	Metric / Imperial
Equal Legs, Square Corners	Metric / Imperial
Miscellaneous	Metric / Imperial
Unequal Legs, Fillets & Round Toes	Metric / Imperial
Unequal Legs, Full Radius	Metric / Imperial
Unequal Legs, Square Corners	Metric / Imperial

Channels

Aluminum Association Standard Structural	Metric / Imperial
Equal Thickness	Metric / Imperial
Standard Structural	Metric / Imperial
Tapered Legs	Metric / Imperial
Unequal Legs	Metric / Imperial

Hexagonal Bar

I-Beams

Aluminum Association Standard Structural	Metric / Imperial
Standard Structural	Metric / Imperial

Pipes

Schedule 10 Structural	Metric / Imperial
Schedule 40 Structural	Metric / Imperial
Schedule 5 Structural	Metric / Imperial
Schedule 80 Structural	Metric / Imperial

Rectangular Bars

Full Round Ends	Metric / Imperial
Round Corners	Metric / Imperial
Square Corners	Metric / Imperial

Rectangular Tubes

Round Rod

Round Tubes

Square Bar

Square Tubes

T Sections

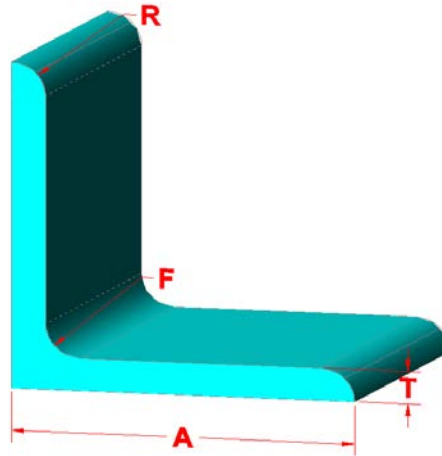
Miscellaneous	Metric / Imperial
Miscellaneous 2	Metric / Imperial

Z-Bars

Miscellaneous	Metric / Imperial
Standard Structural	Metric / Imperial



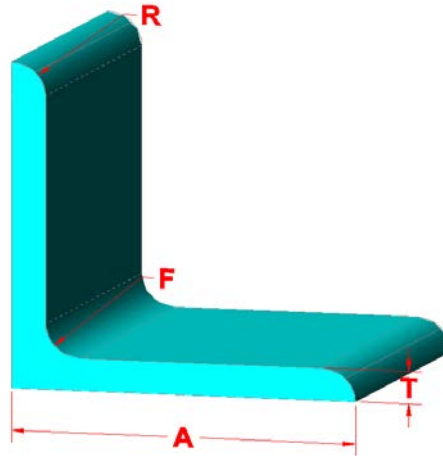
ANGLES - Equal Legs, Fillets & Round Toes (Metric)



Die Name	A	T	F	R	kg/m
C-18111	25.4	6.35	3.175	2.388	0.76
C-18112	38.1	3.175	4.775	3.175	0.628
C-18113	38.1	4.775	4.775	3.175	0.92
C-18114	38.1	6.35	4.775	3.175	1.198
C-18115	50.8	3.175	6.35	3.175	0.856
C-19014	50.8	3.175	6.35	3.175	0.877
C-18116	50.8	4.775	6.35	3.175	1.256
C-18117	50.8	6.35	6.35	3.175	1.644
C-18127	50.8	9.525	6.35	9.525	2.38
C-18118	63.5	6.35	6.35	3.175	2.08
C-17623	63.5	9.525	6.35	3.175	3.043
C-17694	76.2	6.35	7.925	6.35	2.503
C-18120	76.2	9.525	7.925	6.35	3.664
C-18126	76.2	12.7	7.925	6.35	4.78
C-17621	88.9	6.35	9.525	6.35	2.955
C-17619	88.39	9.525	9.525	6.35	0.372
C-18121	101.6	6.35	9.525	6.35	3.381
C-18112	101.6	9.525	9.525	6.35	4.987
C-18125	101.6	12.7	9.525	6.35	6.538
C-17618	127	9.525	12.7	9.525	6.276
C-17632	127	12.7	12.7	9.525	8.294
C-17616	127	15.875	12.7	9.525	10.195
C-18123	152.4	9.525	12.7	9.525	7.582
C-18124	152.4	12.7	12.7	9.525	10.006



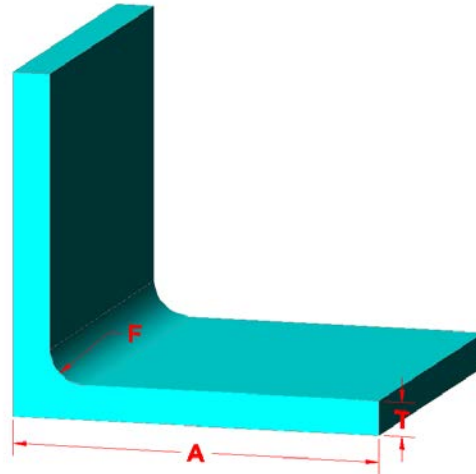
ANGLES - Equal Legs, Fillets & Round Toes (Imperial)



Die Name	A	T	F	R	lb/ft
C-18111	1	0.25	0.125	0.094	0.511
C-18112	1.5	0.125	0.188	0.125	0.422
C-18113	1.5	0.188	0.188	0.125	0.618
C-18114	1.5	0.25	0.188	0.125	0.805
C-18115	2	0.125	0.25	0.125	0.575
C-19014	2	0.125	0.25	0.125	0.589
C-18116	2	0.188	0.25	0.125	0.868
C-18117	2	0.25	0.25	0.125	1.133
C-18127	2	0.375	0.25	0.375	1.599
C-18118	2.5	0.25	0.25	0.125	1.398
C-17623	2.5	0.375	0.25	0.125	2.045
C-17694	3	0.25	0.312	0.25	1.682
C-18120	3	0.375	0.312	0.25	2.462
C-18126	3	0.5	0.312	0.25	3.212
C-17621	3.5	0.313	0.375	0.25	1.986
C-17619	3.5	0.375	0.375	0.25	0.25
C-18121	4	0.25	0.375	0.25	2.272
C-18112	4	0.375	0.375	0.25	3.351
C-18125	4	0.5	0.375	0.25	4.393
C-17618	5	0.375	0.5	0.375	4.217
C-17632	5	0.5	0.5	0.375	5.573
C-17616	5	0.625	0.5	0.375	6.851
C-18123	6	0.625	0.5	0.375	5.095
C-18124	6	0.5	0.5	0.375	6.724



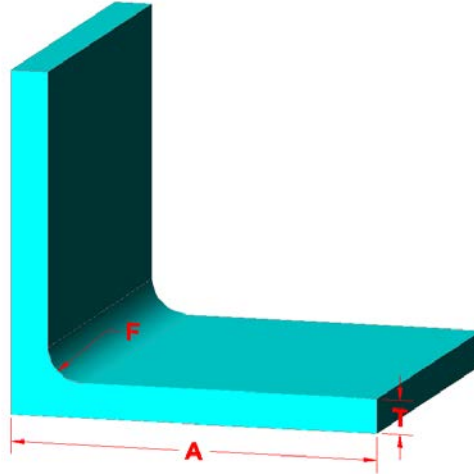
ANGLES - Equal Legs, Round Fillets, Square Toes (Metric)



Die Name	A	T	F	kg/m
C-17505	25.4	1.575	3.175	0.414
C-17506	25.4	4.75	4.75	0.607
C-17507	25.4	6.35		0.786
C-17508	31.75	3.175		0.524
C-17509	31.75	4.775		0.771
C-17510	31.75	6.35		1.003
C-17511	38.1	3.175		0.632
C-17512	38.1	4.75		0.935
C-17513	38.1	6.35		1.222
C-17514	44.45	3.175		0.741
C-24-187-4	44.45	4.75	4.75	1.092
C-17515	44.45	4.775		1.098
C-17516	44.45	6.35		1.438
C-17554	50.8	3.175	3.175	0.85
C-17518	50.8	4.775		1.262
C-17519	50.8	6.35		1.658
C-17521	50.8	9.525		2.421
C-17579	63.5	3.175		1.069
C-17523	63.5	4.75		1.589
C-17524	63.5	6.35		2.092
C-17526	63.5	9.525		3.075
C-17167	76.2	3.175		1.284
C-17555	76.2	4.775		1.917
C-17527	76.2	6.35		2.58
C-17528	76.2	7.925		3.13
C-17529	76.2	9.525		3.728
C-17530	76.2	12.7		4.886
C-17552	88.9	6.35		2.964
C-17531	88.9	7.925		3.673
C-17532	88.9	9.525		4.383
C-17614	101.6	6.35		3.397
C-17535	101.6	7.925		4.216
C-17536	101.6	9.525		5.033
C-17537	101.6	12.7		6.628



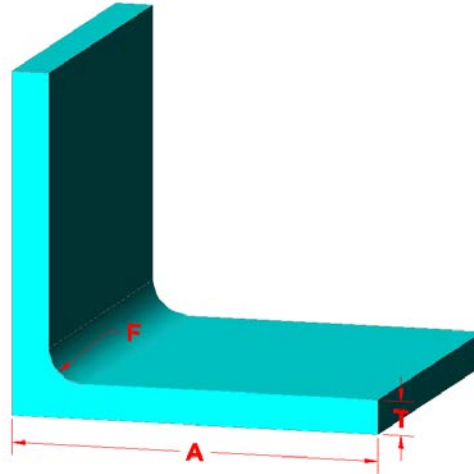
ANGLES - Equal Legs, Round Fillets, Square Toes (Metric)



Die Name	A	T	F	kg/m
C-17539	127	9.525		6.343
C-17542	152.4	9.525		7.649
C-17543	152.4	12.7		10.114

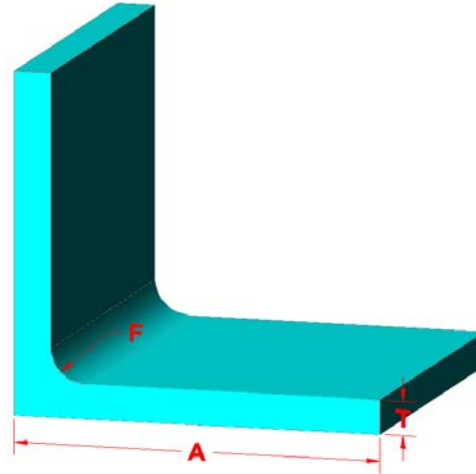


ANGLES - Equal Legs, Round Fillets, Square Toes (Imperial)



Die Name	A	I	F	lb/ft
C-17505	1	0.062	0.125	0.14
C-17506	1	0.187	0.187	0.408
C-17507	1	0.25		0.528
C-17508	1.25	0.125		0.352
C-17509	1.25	0.188		0.518
C-17510	1.25	0.25		0.674
C-17511	1.5	0.125		0.425
C-17512	1.5	0.187		0.628
C-17513	1.5	0.25		0.821
C-17514	1.75	0.125		0.498
C-24-187-4	1.75	0.187	0.187	0.734
C-17515	1.75	0.188		0.738
C-17516	1.75	0.25		0.966
C-17554	2	0.125	0.125	0.571
C-17518	2	0.187		0.843
C-17519	2	0.25		1.113
C-17521	2	0.375		1.627
C-17579	2.5	0.125		0.718
C-17523	2.5	0.187		1.068
C-17524	2.5	0.25		1.406
C-17526	2.5	0.375		2.066
C-17167	3	0.125		0.863
C-17555	3	0.188		1.288
C-17527	3	0.25		1.699
C-17528	3	0.312		2.103
C-17529	3	0.375		2.505
C-17530	3	0.5		3.283
C-17552	3.5	0.25		1.992
C-17531	3.5	0.312		2.468
C-17532	3.5	0.375		2.945
C-17614	4	0.25		2.283
C-17535	4	0.312		2.833
C-17536	4	0.375		3.382
C-17537	4	0.5		4.454

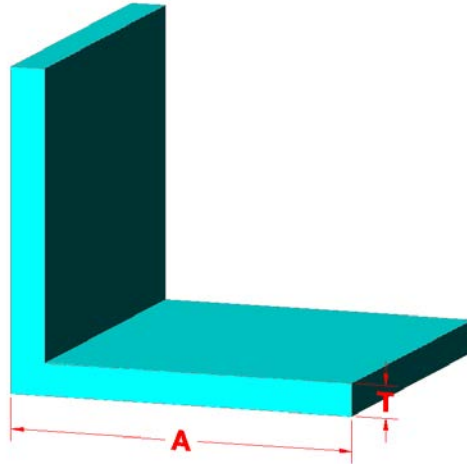
ANGLES - Equal Legs, Round Fillets, Square Toes (Imperial)



<u>Die Name</u>	<u>A</u>	<u>T</u>	<u>F</u>	<u>lb/ft</u>
C-17539	5	0.375		4.262
C-17542	6	0.375		5.14
C-17543	6	0.5		6.796



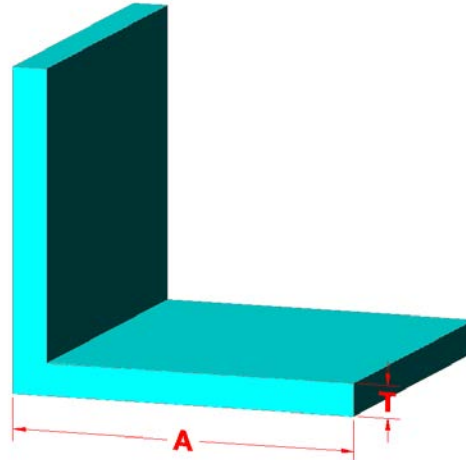
ANGLES - Equal Legs, Square Corners (Metric)



Die Name	T	A	lb/ft
C-4-062-4	12.7	1.575	0.101
C-17010	2.54	3.175	0.408
C-18636	31.75	4.75	0.757
C-17015	38.1	3.175	0.627
C-4-125-7	38.1	3.175	0.625
C-17016	38.1	4.775	0.921
C-17017	50.8	3.175	0.844
C-07018	50.8	4.75	1.249
C-17019	50.8	6.35	1.634
C-17021	63.5	6.35	2.069
C-17054	76.2	6.35	2.505



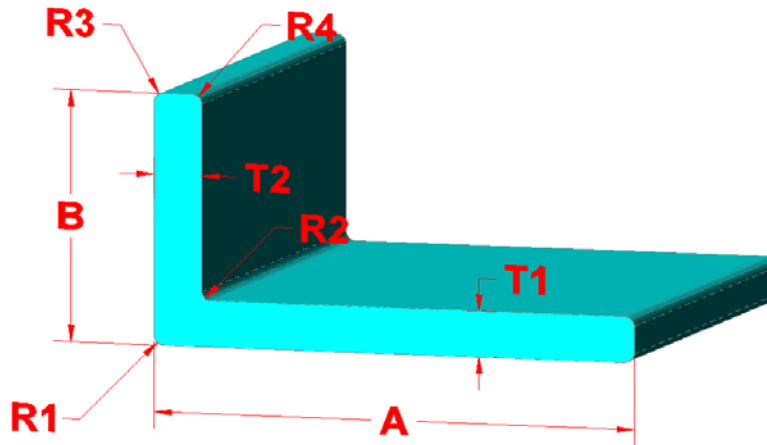
ANGLES - Equal Legs, Square Corners (Imperial)



Die Name	A	T	lb/ft
C-4-062-4	0.5	0.062	0.068
C-17010	1	0.125	0.274
C-18636	1.25	0.187	0.509
C-17015	1.5	0.125	0.421
C-4-125-7	1.5	0.125	0.42
C-17016	1.5	0.188	0.619
C-17017	2	0.125	0.567
C-07018	2	0.187	0.839
C-17019	2	0.25	1.098
C-17021	2.5	0.25	1.39
C-17054	3	0.25	1.683



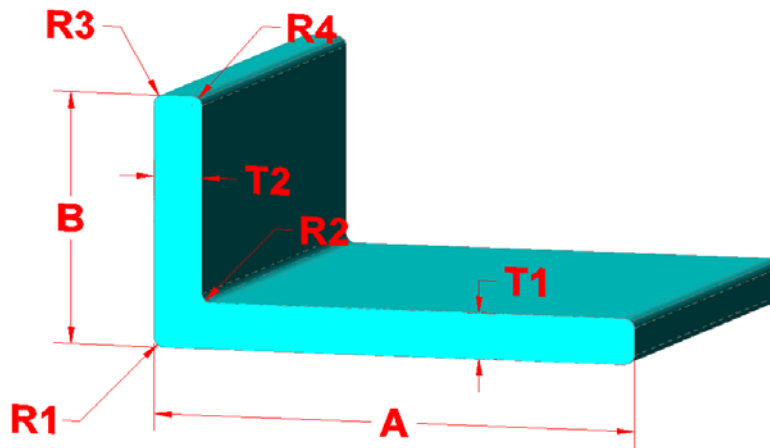
ANGLES - Miscellaneous (Metric)



Die Name	A	B	T1	T2	R1	R2	R3	R4	kg/m
C-19239	152.4	63.5	4.75	4.75		9.525		4.75	3.613
C-19238	152.4	76.2	9.525	9.525		9.525		4.75	5.689
C-19236	203.2	76.2	9.525	9.525		9.525		4.75	6.996



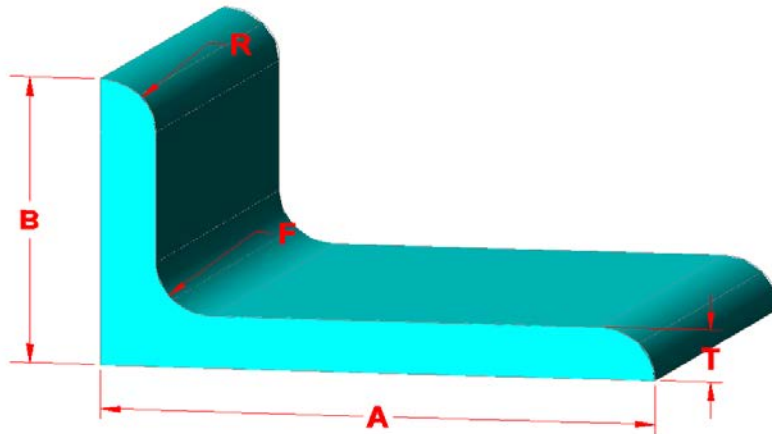
ANGLES - Miscellaneous (Imperial)



Die Name	A	B	T1	T2	R1	R2	R3	R4	lb/ft
C-19239	6	2.5	0.187	0.187		0.375		0.187	2.431
C-19238	6	3	0.375	0.375		0.375		0.187	3.823
C-19236	8	3	0.375	0.375		0.375		0.187	4.107



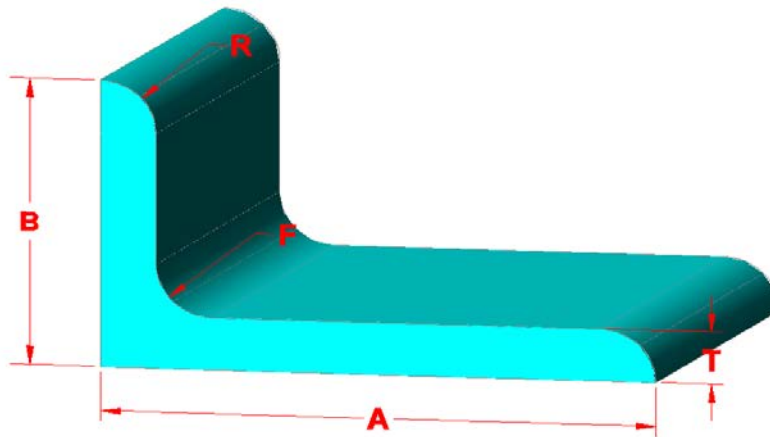
ANGLES - Unequal Legs, Fillets & Round Toes (Metric)



Die Name	A	B	T	F	R	kg/m
C-19253	38.1	31.75	6.35	4.775	3.175	1.094
C-19252	50.8	38.1	4.775	4.775	3.175	0.738
C-17640	50.8	38.1	4.775	4.775	3.175	1.089
C-17635	63.5	38.1	6.35	6.35	3.175	1.265
C-17636	63.5	38.1	6.35	6.35	3.175	1.649
C-19255	63.5	50.8	9.525	6.35	3.175	2.716
C-19778	76.2	50.8	4.775	7.925	4.775	1.582
C-19779	76.2	50.8	6.35	7.925	4.775	2.077
C-17625	76.2	50.8	6.35	7.925	4.775	2.086
C-17637	76.2	50.8	7.95	7.95	4.775	3.042
C-19256	76.2	63.5	6.35	7.925	6.35	2.284
C-18633	76.2	63.5	9.525	7.95	6.35	3.35
C-19070	88.9	76.2	6.35	9.525	6.35	2.738
C-19780	101.6	76.2	6.35	9.525	6.35	2.947
C-17626	101.6	76.2	9.525	9.525	6.35	4.35
C-17642	101.6	76.2	12.7	9.525	6.35	5.688
C-17624	127	76.2	6.35	9.525	6.35	3.381
C-19781	127	76.2	9.525	9.525	9.525	4.96
C-19261	127	76.2	12.7	9.525	7.925	6.536
C-17641	127	88.9	7.95	11.125	7.95	4.479
C-19258	127	88.9	9.525	11.1	7.925	5.326
C-18634	127	88.9	12.7	11.125	7.925	6.991
C-19088	152.4	88.9	7.925	12.7	7.925	5.04
C-19782	152.4	101.6	9.525	12.7	9.525	6.277
C-19784	152.4	101.6	12.7	12.7	7.925	10.073
C-17628	152.4	101.6	12.7	12.7	9.525	8.294
C-19783	152.4	101.6	19.05	12.7	9.525	12.075



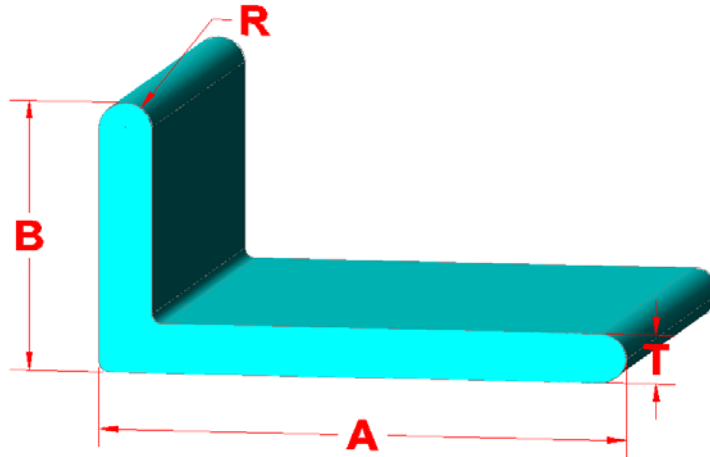
ANGLES - Unequal Legs, Fillets & Round Toes (Imperial)



Die Name	A	B	T	F	R	lb/ft
C-19253	1.5	1.25	0.25	0.188	0.125	0.735
C-19252	2	1.5	0.188	0.188	0.125	0.496
C-17640	2	1.5	0.188	0.188	0.125	0.732
C-17635	2.5	1.5	0.188	0.25	0.125	0.85
C-17636	2.5	1.5	0.25	0.25	0.125	1.108
C-19255	2.5	2	0.375	0.25	0.125	1.825
C-19778	3	2	0.188	0.312	0.188	1.063
C-19779	3	2	0.25	0.312	0.188	1.396
C-17625	3	2	0.25	0.312	0.188	1.402
C-17637	3	2	0.313	0.313	0.188	2.044
C-19256	3	2.5	0.25	0.312	0.25	1.535
C-18633	3	2.5	0.375	0.313	0.25	2.251
C-19070	3.5	3	0.25	0.375	0.25	1.84
C-19780	4	3	0.25	0.375	0.25	1.98
C-17626	4	3	0.375	0.375	0.25	2.923
C-17642	4	3	0.5	0.375	0.25	3.822
C-17624	5	3	0.25	0.375	0.25	2.272
C-19781	5	3	0.375	0.375	0.375	3.333
C-19261	5	3	0.5	0.375	0.312	4.392
C-17641	5	3.5	0.313	0.438	0.313	3.01
C-19258	5	3.5	0.375	0.437	0.312	3.579
C-18634	5	3.5	0.5	0.438	0.312	4.986
C-19088	6	3.5	0.312	0.5	0.312	3.387
C-19782	6	4	0.375	0.5	0.375	4.218
C-19784	6	4	0.5	0.5	0.312	6.769
C-17628	6	4	0.5	0.5	0.375	5.573
C-19783	6	4	0.75	0.5	0.375	8.114



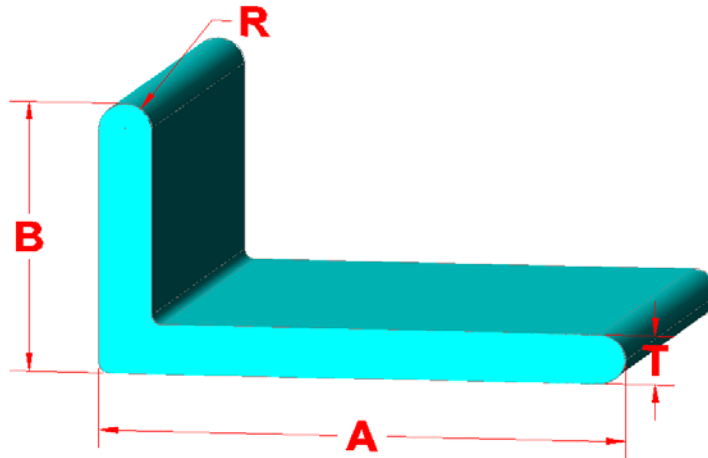
ANGLES - Unequal Legs, Full Radius (Metric)



Die Name	<u>A</u>	<u>B</u>	<u>T</u>	<u>R</u>	<u>kg/m</u>
C-19026	25.4	19.05	1.27	0.635	0.152

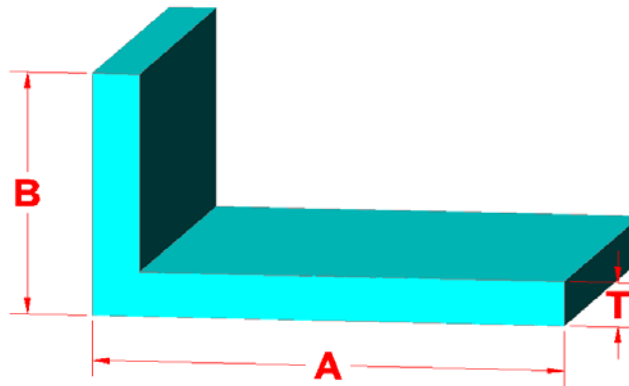


ANGLES - Unequal Legs, Full Radius (Imperial)



Die Name	<u>A</u>	<u>B</u>	<u>T</u>	<u>R</u>	<u>lb/ft</u>
C-19026	1	0.75	0.05	0.025	0.102

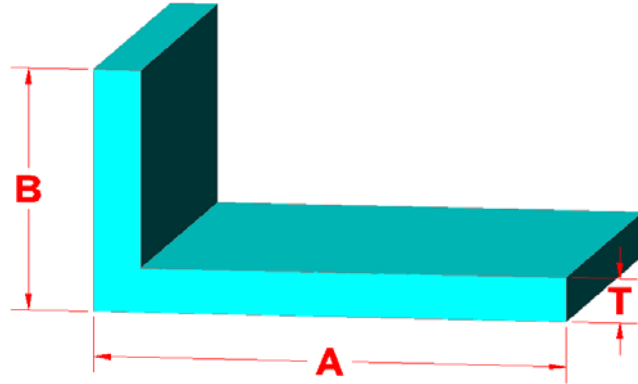
ANGLES - Unequal Legs, Square Corners (Metric)



Die Name	A	B	T	kg/m
C-18507	25.4	38.1	3.175	0.519
C-18509	25.4	50.8	3.175	0.627
C-18510	25.4	50.8	4.75	0.921
C-19024	31.75	19.05	1.143	0.158
C-14-062-2	38.1	19.05	1.575	0.237
C-14-125-6	50.8	25.4	3.175	0.625
C-18521	50.8	76.2	6.35	2.095
C-18632	50.8	101.6	6.35	2.514
C-14-078-2	69.85	31.75	1.981	0.533
C-19033	101.6	38.1	1.575	0.601

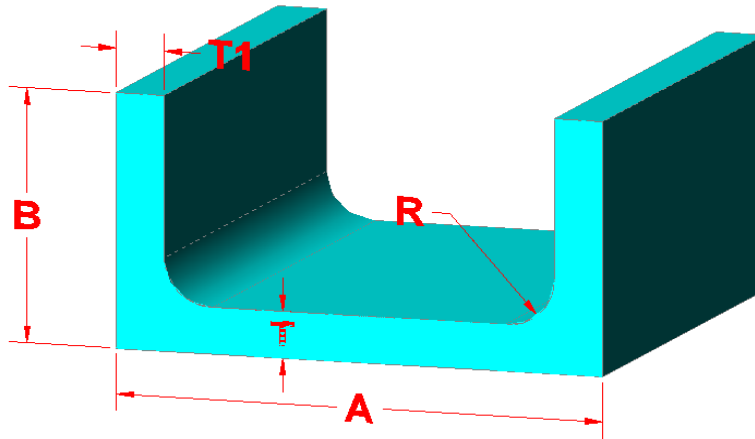


ANGLES - Unequal Legs, Square Corners (Imperial)



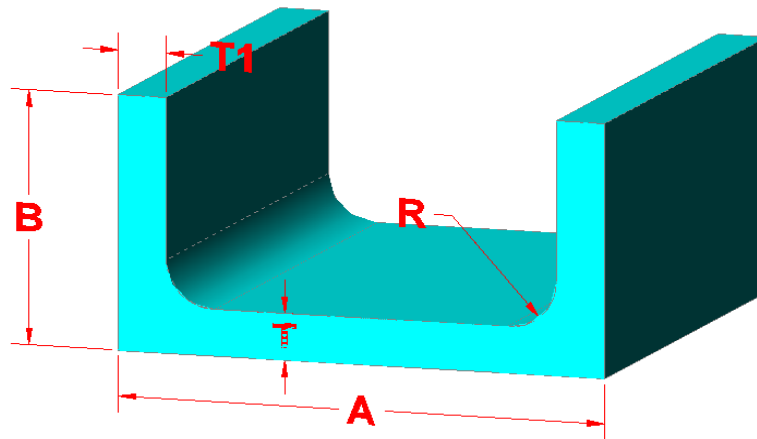
Die Name	A	B	T	lb/ft
C-18507	1	1.5	0.125	0.349
C-18509	1	2	0.125	0.421
C-18510	1	2	0.187	0.619
C-19024	1.25	0.75	0.045	0.144
C-14-062-2	1.5	0.75	0.062	0.159
C-14-125-6	2	1	0.125	0.42
C-18521	2	3	0.25	1.408
C-18632	2	4	0.25	1.689
C-14-078-2	2.75	1.25	0.078	0.358
C-19033	4	1.5	0.062	0.404

CHANNELS - Aluminum Association Standard Structural (Metric)



Die Name	A	B	T	T1	R	kg/m
C-23007	38.1	19.05	3.962	3.962	3.962	0.749
C-23030	254	76.2	7.137	11.1	12.7	9.212
C-23531	254	88.9	6.35	10.414	8.89	9.088
C-23031	254	88.9	7.925	12.7	14.275	11.23
C-360043	254	89.992	14.757	14.757	14.3	16.325
C-10-125-12	50.8	38.1	3.175	3.175	3.175	1.045
C-23008	57.15	25.4	4.775	4.75	1.575	1.272
C-23516	76.2	38.1	3.302	5.08	6.35	1.686
C-23010	76.2	38.1	4.775	6.35	7.925	2.2
C-23011	76.2	38.1	6.35	7.925	7.925	2.74
C-23523	76.2	44.45	4.318	6.604	6.35	2.485
C-23012	76.2	50.8	6.35	7.925	4.775	3.237
C-23149	101.6	38.1	6.35	6.35	6.35	2.878
C-23013	101.6	41.275	4.775	7.137	9.525	2.823
C-23014	101.6	44.45	6.35	7.137	9.525	3.317
C-23518	101.6	50.8	3.81	5.842	6.35	2.582
C-10-187-2	101.6	50.8	4.75	6.35	9.525	2.981
C-23015	101.6	50.8	4.75	6.35	9.525	2.994
C-23112	101.6	50.8	6.35	6.35	4.775	3.293
C-23016	101.6	50.8	6.35	7.925	9.525	3.752
C-23153	101.6	50.8	12.7	12.7	9.525	6.225
C-23513	101.6	57.15	4.826	7.366	6.35	3.464
C-23038	101.6	63.5	6.35	7.925	9.525	4.295
C-23110	101.6	88.9	6.35	4.775	4.775	3.899
C-23017	127	50.8	4.775	7.925	9.525	3.714
C-10-281-2	127	50.8	7.137	8.712	9.525	4.607
C-23514	127	57.15	3.81	6.604	7.62	3.287
C-23019	127	63.5	5.537	7.925	11.1	4.524
C-23035	127	63.5	6.35	9.525	11.1	5.262
C-23020	152.4	50.8	7.137	9.525	11.1	5.328
C-23021	152.4	57.15	5.537	7.925	11.1	4.633
C-23022	152.4	57.15	8.712	11.1	11.1	6.634
C-23511	152.4	63.5	4.318	7.366	7.62	4.198
C-23023	152.4	63.5	6.35	7.925	11.1	5.204

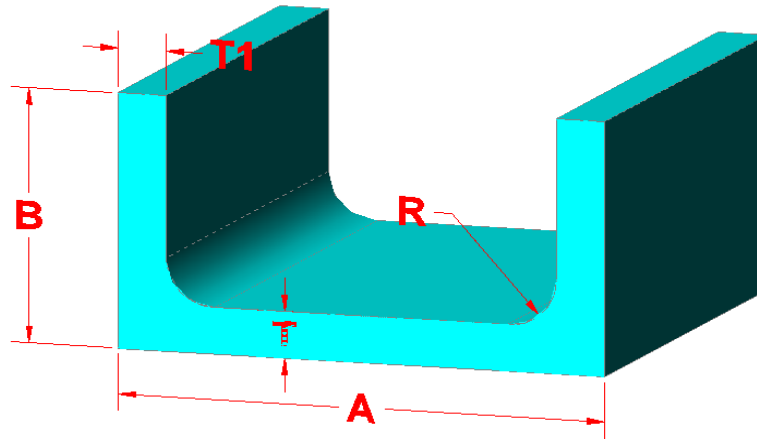
CHANNELS - Aluminum Association Standard Structural (Metric)



Die Name	A	B	T	T1	R	kg/m
C-23037	152.4	63.5	9.525	11.1	11.1	7.301
C-23024	152.4	69.85	6.35	9.525	11.1	6.024
C-23039	152.4	76.2	11.1	12.7	11.1	9.179
C-23515	152.4	82.55	5.334	8.89	7.62	5.991
C-23036	152.4	88.9	9.525	12.7	11.1	9.509
C-91012	177.8	55.728	8.331	8.31	11.1	6.277
C-23025	177.8	63.5	5.537	9.525	11.1	5.784
C-23512	177.8	69.85	4.318	7.366	7.62	4.764
C-77468	177.8	76.2	6.35	6.35	6.35	5.49
C-23532	177.8	88.9	5.334	9.652	7.62	6.982
C-23027	203.2	69.85	6.35	9.525	11.1	6.896
C-23522	203.2	76.2	4.826	8.89	7.62	6.164
C-10-281-4	203.2	76.2	7.137	11.1	7.137	8.113
C-23028	203.2	76.2	7.137	11.1	12.7	8.246
C-23533	203.2	95.25	6.35	10.414	8.89	8.576
C-23530	228.6	82.55	5.842	8.89	8.89	7.378



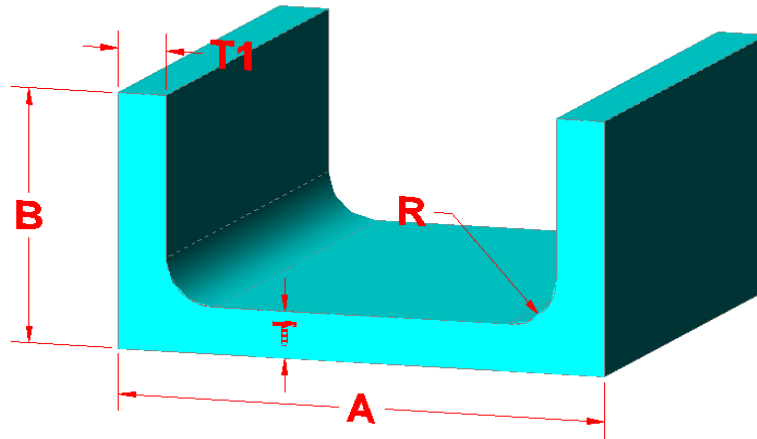
CHANNELS - Aluminum Association Standard Structural (Imperial)



Die Name	A	B	T	T1	R	lb/ft
C-23007	1.5	0.75	0.156	0.156	0.156	0.503
C-23030	10	3	0.281	0.437	0.5	6.195
C-23531	10	3.5	0.25	0.41	0.35	6.107
C-23031	10	3.5	0.312	0.5	0.562	7.546
C-360043	10	3.543	0.581	0.581	0.563	10.97
C-10-125-12	2	1.5	0.125	0.125	0.125	0.702
C-23008	2.25	1	0.187	0.188	0.062	0.855
C-23516	3	1.5	0.13	0.2	0.25	1.133
C-23010	3	1.5	0.188	0.25	0.312	1.478
C-23011	3	1.5	0.25	0.312	0.312	1.841
C-23523	3	1.75	0.17	0.26	0.25	1.67
C-23012	3	2	0.25	0.312	0.188	2.175
C-23149	4	1.5	0.25	0.25	0.25	1.934
C-23013	4	1.625	0.188	0.281	0.375	1.897
C-23014	4	1.75	0.25	0.281	0.375	2.229
C-23518	4	2	0.15	0.23	0.25	1.735
C-10-187-2	4	2	0.187	0.25	0.375	2.003
C-23015	4	2	0.187	0.25	0.375	2.012
C-23112	4	2	0.25	0.25	0.188	2.213
C-23016	4	2	0.25	0.312	0.375	2.521
C-23153	4	2	0.5	0.5	0.375	4.183
C-23513	4	2.25	0.19	0.29	0.25	2.328
C-23038	4	2.5	0.25	0.312	0.375	2.886
C-23110	4	3.5	0.25	0.188	0.188	2.62
C-23017	5	2	0.188	0.312	0.375	2.496
C-10-281-2	5	2	0.281	0.343	0.375	3.096
C-23514	5	2.25	0.15	0.26	0.3	2.209
C-23019	5	2.5	0.218	0.312	0.437	3.04
C-23035	5	2.5	0.25	0.375	0.437	3.536
C-23020	6	2	0.281	0.375	0.437	3.58
C-23021	6	2.25	0.218	0.312	0.437	3.113
C-23022	6	2.25	0.343	0.437	0.437	4.458
C-23511	6	2.5	0.17	0.29	0.3	2.812
C-23023	6	2.5	0.25	0.312	0.437	3.497



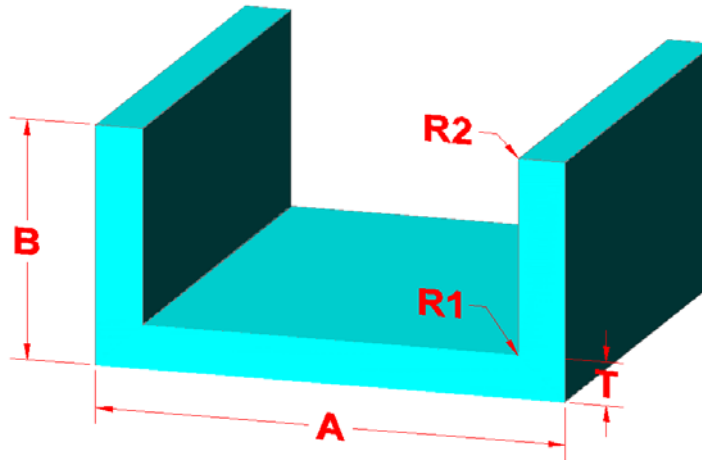
CHANNELS - Aluminum Association Standard Structural (Imperial)



Die Name	A	B	T	T1	R	lb/ft
C-23037	6	2.5	0.375	0.437	0.437	4.906
C-23024	6	2.75	0.25	0.375	0.437	4.048
C-23039	6	3	0.437	0.5	0.437	6.168
C-23515	6	3.25	0.21	0.35	0.3	4.026
C-23036	6	3.5	0.375	0.5	0.437	6.39
C-91012	7	2.194	0.328	0.5	0.437	4.218
C-23025	7	2.5	0.218	0.375	0.437	3.887
C-23512	7	2.75	0.17	0.29	0.3	3.201
C-77468	7	3	0.25	0.25	0.25	3.689
C-23532	7	3.5	0.21	0.38	0.3	4.692
C-23027	8	2.75	0.25	0.375	0.437	4.634
C-23522	8	3	0.19	0.35	0.3	4.142
C-10-281-4	8	3	0.2811	0.437	0.281	5.452
C-23028	8	3	0.281	0.437	0.5	5.541
C-23533	8	3.75	0.25	0.41	0.35	5.763
C-23530	9	3.25	0.23	0.35	0.35	4.958



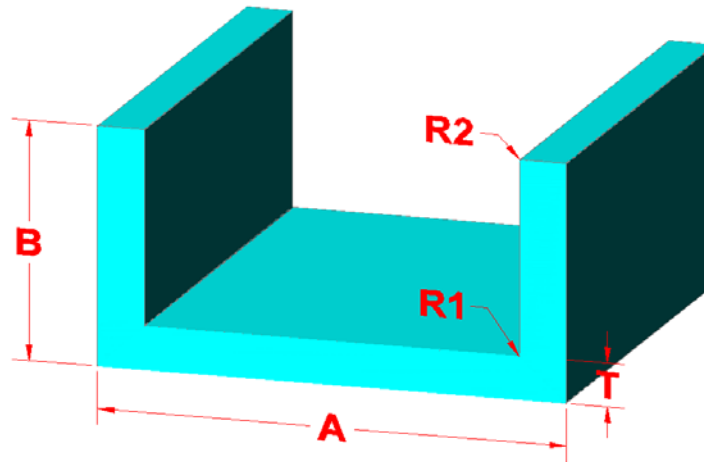
CHANNELS - Equal Thickness (Metric)



Die Name	<u>A</u>	<u>B</u>	<u>T</u>	<u>R1</u>	<u>R2</u>	<u>R3</u>	<u>R4</u>	<u>kg/m</u>
C-3-062-7	12.7	12.7	1.575					0.149
C-3-062-13	12.7	19.05	1.575					0.202
C-3-125-1	19.05	12.7	2.388					0.327
C-3-125-4	19.05	15.875	3.175					0.381
C-3-050-14	19.05	19.05	1.295					0.192
C-3-125-27	22.225	22.225	3.175					0.516
C-22029	26.975	31.75	3.175					0.722
C-22148	38.1	19.05	3.175					0.609
C-3-125-8	38.1	38.1	3.175					0.927
C-22011	38.1	38.1	3.2					0.926
C-22015	50.8	25.4	3.175					0.818
C-22194	50.8	50.8	3.175					1.255
C-22210	50.8	50.8	6.35					2.394
C-3-125-34	63.5	25.4	3.175					0.929
C-22017	63.5	33.325	4.775					1.557
C-22214	63.5	38.1	3.175					1.147
C-22018	76.2	25.4	3.175					1.034
C-22019	76.2	38.1	3.175					1.253
C-3-250-6	76.2	38.1	6.35					2.394
C-19041	76.2	50.8	4.775					2.894
C-22020	101.6	50.8	3.175					1.688
C-826189	101.6	50.8	4.801	4.801				2.5
C-19782	114.3	25.4	3.175		3.175			1.383
C-3-125-14	127	25.4	3.175					1.47
C-22211	127	50.8	3.175					2.823
C-22206	152.4	19.05	3.175					1.582



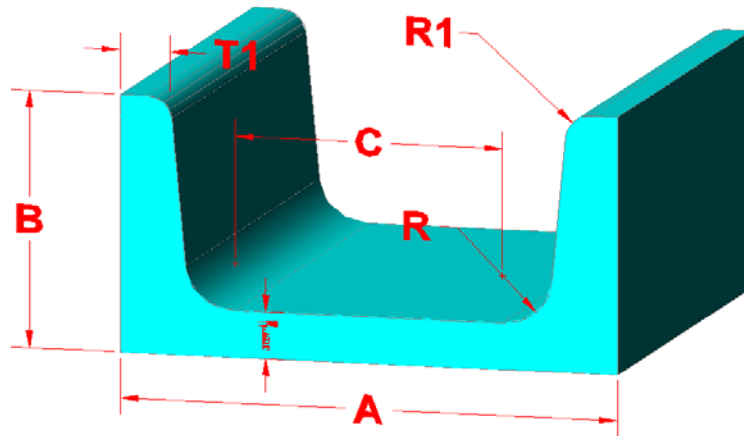
CHANNELS - Equal Thickness (Imperial)



Die Name	A	B	T	R1	R2	R3	R4	lb/ft
C-3-062-7	0.5	0.5	0.062					0.1
C-3-062-13	0.5	0.75	0.062					0.136
C-3-125-1	0.75	0.5	0.094					0.22
C-3-125-4	0.75	0.625	0.125					0.256
C-3-050-14	0.75	0.75	0.051					0.129
C-3-125-27	0.875	0.875	0.125					0.347
C-22029	1.062	1.25	0.125					0.485
C-22148	1.5	0.75	0.125					0.409
C-3-125-8	1.5	1.5	0.125					0.623
C-22011	1.5	1.5	0.126					0.622
C-22015	2	1	0.125					0.55
C-22194	2	2	0.125					0.843
C-22210	2	2	0.25					1.609
C-3-125-34	2.5	1	0.125					0.624
C-22017	2.5	1.312	0.188					1.046
C-22214	2.5	1.5	0.125					0.771
C-22018	3	1	0.125					0.695
C-22019	3	1.5	0.125					0.842
C-3-250-6	3	1.5	0.25					1.609
C-19041	3	2	0.188					1.945
C-22020	4	2	0.125					1.134
C-826189	4	2	0.189	0.189				1.68
C-19782	4.5	1	0.125		0.125			0.929
C-3-125-14	5	1	0.125					0.988
C-22211	5	2	0.187					1.897
C-22206	6	0.75	0.125					1.063



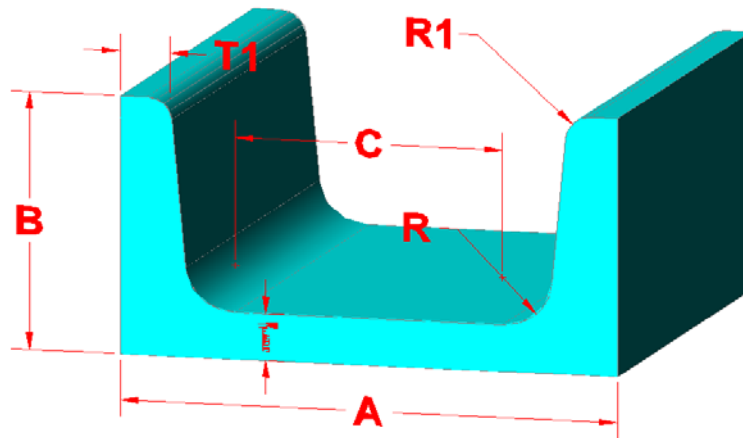
CHANNELS - Standard Structural (Metric)



Die Name	<u>A</u>	<u>B</u>	<u>C</u>	<u>T</u>	<u>T1</u>	<u>R</u>	<u>R1</u>	<u>kg/m</u>
C-25030	177.8	58.395		5.334	10.643	7.874	3.302	7.549
C-23537	203.2	59.512		5.588	7.696	8.128	4.572	7.061



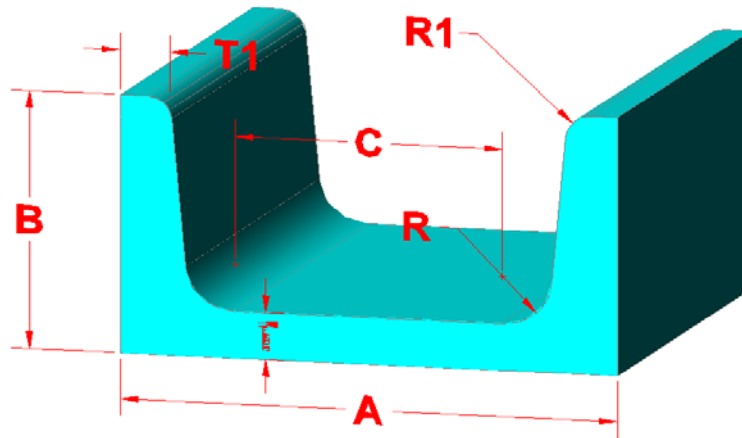
CHANNELS - Standard Structural (Imperial)



Die Name	A	B	C	T	T1	R	R1	lb/ft
C-25030	7	2.299		0.21	0.419	0.31	0.13	5.073
C-23537	8	2.343		0.22	0.303	0.32	0.18	4.745



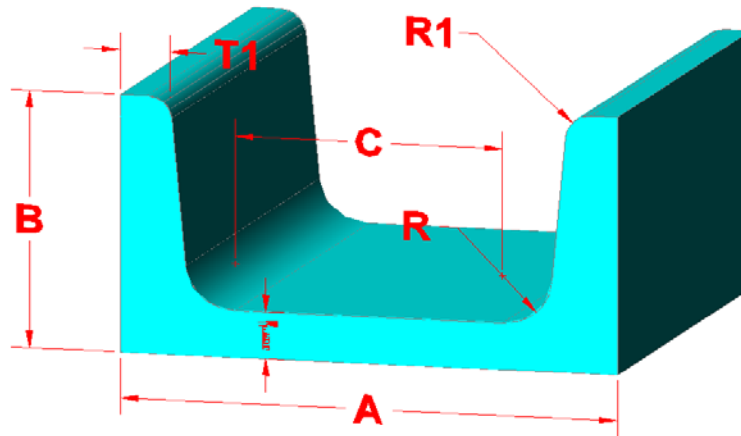
CHANNELS - Tapered Legs (Metric)



Die Name	<u>A</u>	<u>B</u>	<u>C</u>	<u>T</u>	<u>T1</u>	<u>R</u>	<u>R1</u>	<u>kg/m</u>
C-25041	254	66.04		6.096	6.096	8.636	3.556	7.82
C-25031	76.2	35.814		4.318	4.318	6.858	2.54	2.171
C-25032	76.2	38.1		4.318	6.604	6.858	2.54	2.56
C-25033	76.2	40.64		4.318	9.144	6.858	2.54	3.073
C-25034	101.6	40.132		4.572	4.572	7.112	2.794	2.734
C-25035	101.6	41.834		4.572	4.572	7.112	2.794	3.201
C-25036	101.6	43.688		4.572	8.128	7.112	2.794	3.71
C-25029	114.757	48.768		5.08	5.08	7.62	3.048	4.185
C-25037	127	44.45		4.826	4.826	7.366	2.794	3.43
C-23524	127	47.879		4.826	8.255	7.366	2.794	4.54
C-23526	127	51.613	4.826	4.826	11.989	7.366	2.794	5.826
C-23525	152.4	48.768		5.08	5.08	7.62	3.048	4.103
C-23521	152.4	49.403		5.08	5.715	7.62	3.048	4.442
C-25039	152.4	51.664		5.08	7.976	7.62	3.048	5.378
C-23534	152.4	54.788		11.1	5.08	7.62	3.048	6.686
C-200948	177.8	53.594		5.334	5.842	7.874	3.302	5.264
C-23520	203.2	64.186		5.588	12.37	8.128	3.302	9.739
C-23536	228.6	67.259		5.842	11.379	8.382	3.556	10.273



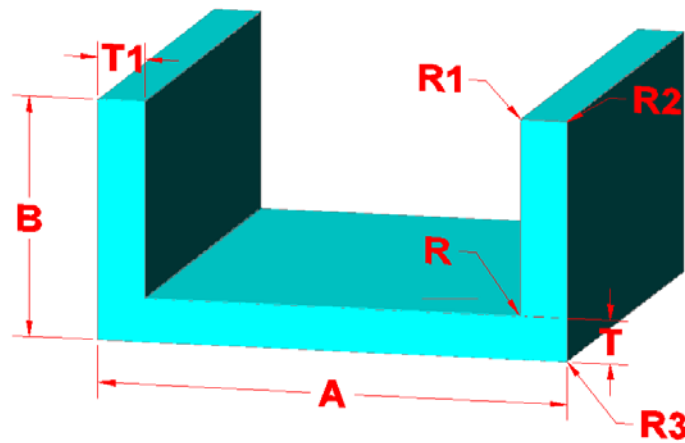
CHANNELS - Tapered Legs (Imperial)



Die Name	<u>A</u>	<u>B</u>	<u>C</u>	<u>T</u>	<u>T1</u>	<u>R</u>	<u>R1</u>	<u>lb/ft</u>
C-25041	10	2.6		0.24	0.24	0.34	0.14	5.255
C-25031	3	1.41		0.17	0.17	0.27	0.1	1.459
C-25032	3	1.5		0.17	0.26	0.27	0.1	1.72
C-25033	3	1.6		0.17	0.36	0.27	0.1	2.065
C-25034	4	1.58		0.18	0.18	0.28	0.11	1.837
C-25035	4	1.647		0.18	0.247	0.28	0.11	2.151
C-25036	4	1.72		0.18	0.32	0.28	0.11	2.493
C-25029	4.518	1.92		0.2	0.2	0.3	0.12	2.812
C-25037	5	1.75		0.19	0.19	0.29	0.11	2.305
C-23524	5	1.885		0.19	0.325	0.29	0.11	3.051
C-23526	5	2.032	0.19	0.19	0.472	0.29	0.11	3.195
C-23525	6	1.92		0.2	0.2	0.3	0.12	2.757
C-23521	6	1.945		0.2	0.225	0.3	0.12	2.985
C-25039	6	2.034		0.2	0.314	0.3	0.12	3.002
C-23534	6	2.157		0.437	0.2	0.3	0.12	4.493
C-200948	7	2.11		0.21	0.23	0.31	0.13	3.537
C-23520	8	2.527		0.22	0.487	0.32	0.13	6.544
C-23536	9	2.648		0.23	0.448	0.33	0.14	6.903



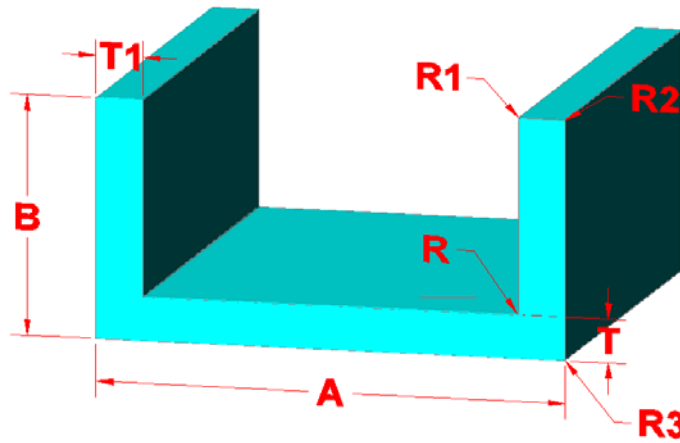
CHANNELS - Unequal Legs (Metric)



Die Name	<u>A</u>	<u>B</u>	<u>T</u>	<u>T1</u>	<u>R</u>	<u>R1</u>	<u>R2</u>	<u>R3</u>	<u>kg/m</u>
C-18509	152.4	82.55	5.334	8.89	7.62				5.993
C-18119	228.6	82.55	5.842	8.89	8.89	0.381	0.3811	0.381	7.416



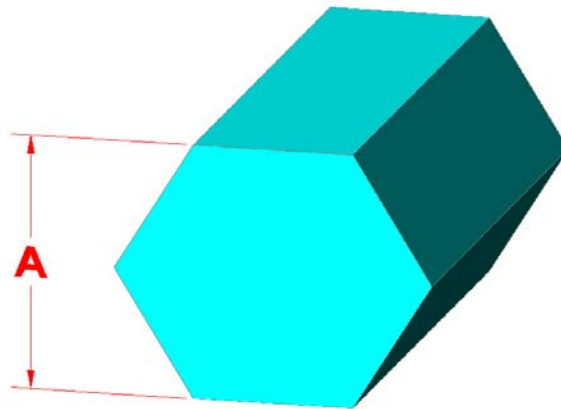
CHANNELS - Unequal Legs (Imperial)



Die Name	<u>A</u>	<u>B</u>	<u>T</u>	<u>T1</u>	<u>R</u>	<u>R1</u>	<u>R2</u>	<u>R3</u>	<u>lb/ft</u>
C-18509	6	3.25	0.21	0.35	0.3				4.027
C-18119	9	3.25	0.23	0.35	0.35	0.015	0.015	0.015	4.983



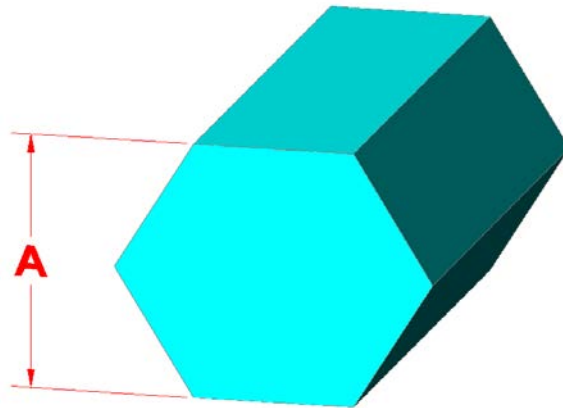
HEXAGONAL BAR (Metric)



<u>Die Name</u>	<u>A</u>	<u>kg/m</u>
C-19038	16.307	0.479
C-10527	19.050	0.851
C-19025	19.050	0.872
C-10501	25.400	1.509
C-10533	28.575	1.909
C-10543	31.750	2.366
C-10507	44.450	4.637

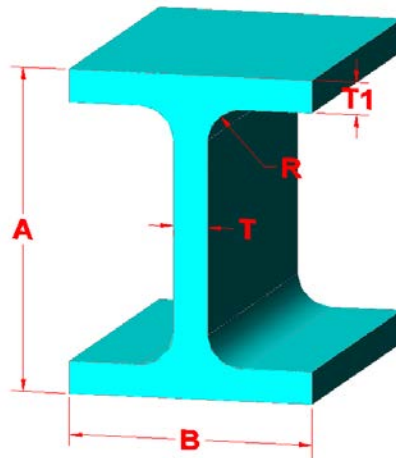


HEXAGONAL BAR (Imperial)



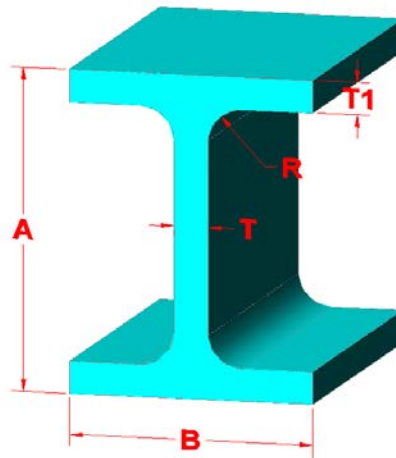
Die Name	A	lb/ft
C-19038	0.642	0.322
C-10527	0.750	0.572
C-19025	0.750	0.586
C-10501	1.000	1.014
C-10533	1.125	1.283
C-10543	1.250	1.590
C-10507	1.750	3.116

I-BEAMS - Aluminum Association Standard Structural (Metric)



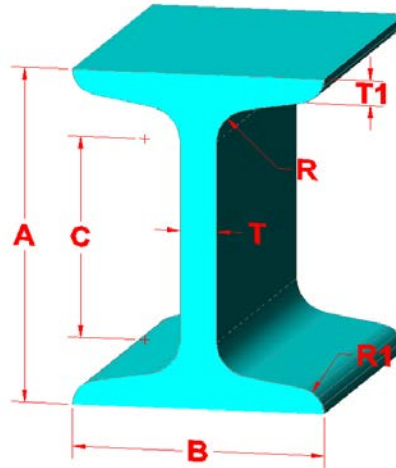
<u>Die Name</u>	<u>A</u>	<u>B</u>	<u>T</u>	<u>T1</u>	<u>R</u>	<u>kg/m</u>
C-28001	63.5	50.8	3.175	3.175	3.175	1.385
C-28003	76.2	63.5	3.302	6.35	9.525	3.208
C-29000	76.2	76.2	6.35	6.35	9.525	3.914
C-29078	101.6	76.2	3.81	5.842	6.35	3.435
C-28125	101.6	76.2	4.318	7.366	6.35	4.137
C-28124	101.6	76.2	4.75	7.925	9.525	4.569
C-28004	101.6	76.2	4.775	6.35	9.525	3.972
C-29001	101.6	101.6	6.35	7.925	11.1	6.106
C-29002	101.6	101.6	7.925	9.525	11.1	7.282
C-28006	127	76.2	5.537	6.35	9.525	4.533
C-28131	127	88.9	4.826	8.128	7.62	5.499
C-28007	127	88.9	6.35	7.925	11.1	5.999
C-29003	127	127	7.95	9.525	14.3	9.328
C-29061	139.7	184.15	6.35	7.925	7.925	10.142
C-28008	152.4	76.2	6.35	7.925	9.525	5.816
C-28009	152.4	88.9	6.35	9.525	11.125	7.149
C-28128	152.4	101.6	4.826	7.366	7.62	5.991
C-28126	152.4	101.6	5.334	8.89	7.62	6.951
C-28138	152.4	101.6	5.842	7.087	6.35	6.128
C-28010	152.4	101.6	7.137	9.525	11.1	8.085
C-28129	152.4	152.4	6.069	6.833	6.35	8.027
C-29004	152.4	152.4	7.925	9.525	15.875	11.255
C-29005	152.4	152.4	9.525	12.7	15.875	14.297
C-28011	177.8	101.6	7.137	9.525	11.125	8.575
C-28133	177.8	114.3	5.842	9.652	7.62	8.624
C-28012	203.2	101.6	7.137	9.525	11.1	9.064
C-28132	203.2	127	5.842	8.89	7.62	9.188
C-28136	203.2	127	6.35	10.414	7.62	9.411
C-28014	203.2	127	7.925	12.7	14.275	12.993
C-28015	228.6	114.3	7.925	12.7	14.275	12.657

I-BEAMS - Aluminum Association Standard Structural (Imperial)



Die Name	A	B	T	T1	R	lb/ft
C-28001	2.5	2	0.125	0.125	0.125	0.931
C-28003	3	2.5	0.188	0.25	0.375	2.156
C-29000	3	3	0.25	0.25	0.375	2.63
C-29078	4	3	0.15	0.23	0.25	2.308
C-28125	4	3	0.17	0.29	0.25	2.78
C-28124	4	3	0.187	0.312	0.375	3.07
C-28004	4	3	0.188	0.25	0.375	3.07
C-29001	4	4	0.25	0.312	0.437	4.103
C-29002	4	4	0.312	0.375	0.437	4.893
C-28006	5	3	0.218	0.25	0.375	3.046
C-28131	5	3.5	0.19	0.32	0.3	3.695
C-28007	5	3.5	0.25	0.312	0.437	4.031
C-29003	5	5	0.313	0.375	0.563	6.268
C-29061	5.5	7.25	0.25	0.312	0.312	6.813
C-28008	6	3	0.25	0.312	0.375	3.908
C-28009	6	3.5	0.25	0.375	0.438	4.804
C-28128	6	4	0.19	0.29	0.3	4.026
C-28126	6	4	0.21	0.35	0.3	4.671
C-28138	6	4	0.23	0.279	0.25	4.154
C-28010	6	4	0.281	0.375	0.437	5.433
C-28129	6	6	0.24	0.269	0.25	5.394
C-29004	6	6	0.312	0.375	0.625	7.563
C-29005	6	6	0.375	0.5	0.625	9.607
C-28011	7	4	0.281	0.375	0.438	5.762
C-28133	7	4.5	0.23	0.38	0.3	5.795
C-28012	8	4	0.281	0.375	0.437	6.091
C-28132	8	5	0.23	0.35	0.3	6.174
C-28136	8	5	0.25	0.41	0.3	6.324
C-28014	8	5	0.312	0.5	0.562	8.731
C-28015	9	4.5	0.312	0.5	0.562	8.505

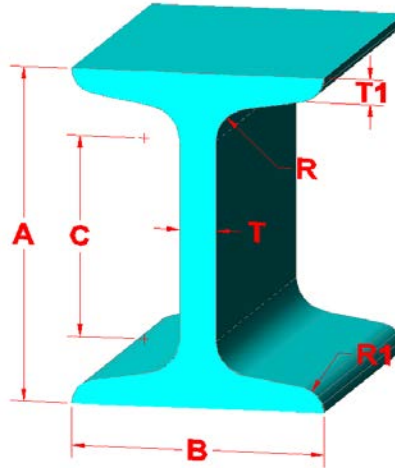
I-BEAMS - Standard Structural (Metric)



Die Name	<u>A</u>	<u>B</u>	<u>C</u>	<u>T</u>	<u>T1</u>	<u>R</u>	<u>R1</u>	<u>kg/m</u>
C-28140	76.2	63.729		8.865	4.318	6.858	2.54	3.856
C-28141	101.6	67.564		4.826	4.826	7.366	2.794	3.93
C-29077	101.6	101.6		7.925	7.366	7.925	3.863	7.091
C-28130	127	76.2		5.334	5.334	7.874	3.81	3.994
C-28134	127	76.2		5.334	11.227	7.874	3.302	5.098
C-28139	127	127		7.925	8.382	7.95	4.191	9.611
C-28143	152.4	84.582		5.842	5.842	8.382	3.556	6.395
C-28137	152.4	87.452		8.712	5.842	8.382	3.556	9.07
C-28135	152.4	150.825		6.35	9.144	7.95	4.572	14.563
C-28127	203.2	101.6		6.858	6.858	9.398	4.064	9.145

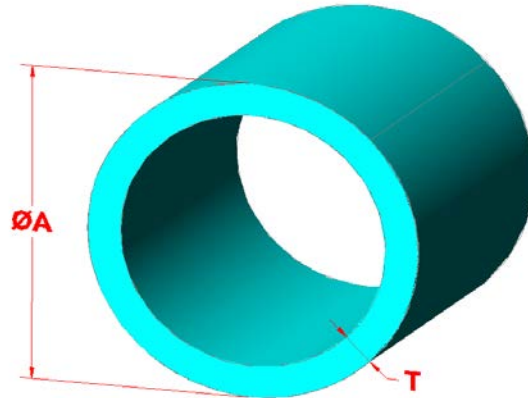


I-BEAMS - Standard Structural (Imperial)



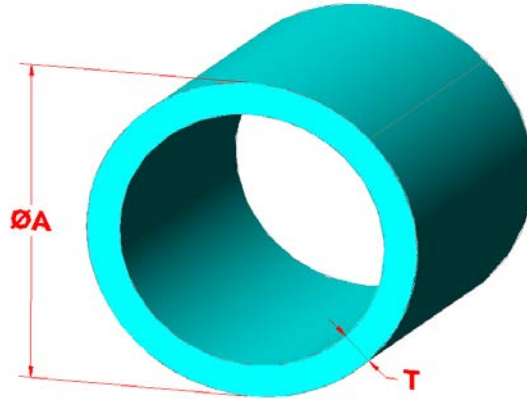
Die Name	<u>A</u>	<u>B</u>	<u>C</u>	<u>T</u>	<u>T1</u>	<u>R</u>	<u>R1</u>	<u>lb/ft</u>
C-28140	3	2.509		0.349	0.17	0.27	0.1	2.591
C-28141	4	2.66		0.19	0.19	0.29	0.11	2.641
C-29077	4	4		0.312	0.29	0.312	0.145	4.765
C-28130	5	3		0.21	0.21	0.31	0.15	2.684
C-28134	5	3		0.21	0.442	0.31	0.13	3.426
C-28139	5	5		0.312	0.33	0.313	0.165	6.458
C-28143	6	3.33		0.23	0.23	0.33	0.14	4.297
C-28137	6	3.443		0.343	0.23	0.33	0.14	6.095
C-28135	6	5.938		0.25	0.36	0.313	0.18	9.786
C-28127	8	4		0.27	0.27	0.37	0.16	6.145

PIPE - Schedule 10 Structural (Metric)



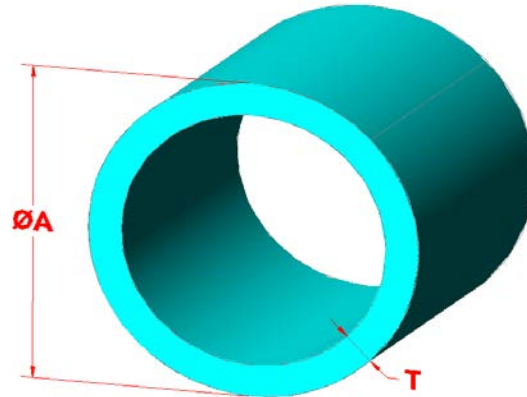
Die Name	<u>A</u>	<u>T</u>	<u>kg/m</u>
C-97126	48.26	2.769	1.069
C-97211	60.325	2.769	1.353
C-97092	73.025	3.048	1.811
C-96930	88.9	3.048	2.22
C-97268	114.3	3.048	2.878
C-97372	141.3	3.404	3.981
C-97187	168.275	3.404	4.762

PIPE - Schedule 10 Structural (Imperial)



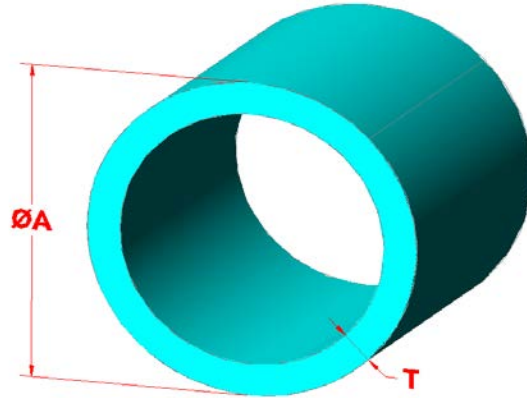
Die Name	A	T	lb/ft
C-97126	1.9	0.109	0.718
C-97211	2.375	0.109	0.909
C-97092	2.875	0.12	1.217
C-96930	3.5	0.12	1.492
C-97268	4.5	0.12	1.934
C-97372	5.563	0.134	2.675
C-97187	6.625	0.134	3.2

PIPE - Schedule 40 Structural (Metric)



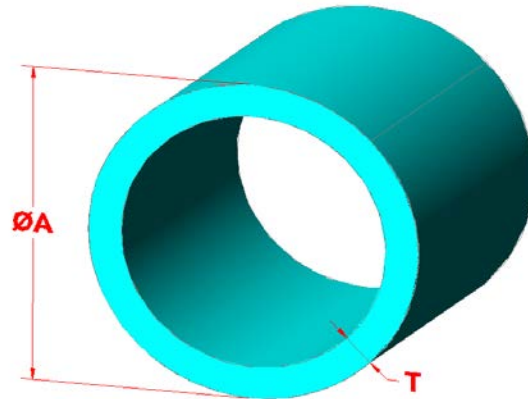
<u>Die Name</u>	<u>A</u>	<u>T</u>	<u>kg/m</u>
C-5-090-10	17.145	2.286	0.292
C-96561	26.67	2.87	0.58
C-5-113-1	26.67	2.87	0.582
C-5-133-1	33.401	3.378	0.865
C-96634	33.401	3.378	0.86
C-5-140-1	42.164	3.556	1.17
C-96536	48.26	3.683	1.393
C-96549	60.925	3.912	1.872
C-96529	73.025	5.156	2.969
C-96547	88.9	5.486	3.884
C-96650	101.6	5.74	4.67
C-96633	114.3	6.02	5.532
C-97082	127	6.274	6.427
C-96640	101.3	6.553	7.493
C-96527	168.275	7.112	9.727

PIPE - Schedule 40 Structural (Imperial)



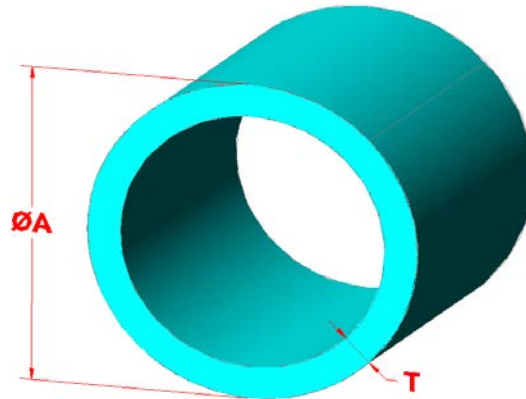
Die Name	A	T	lb/ft
C-5-090-10	0.675	0.09	0.196
C-96561	1.05	0.113	0.39
C-5-113-1	1.05	0.113	0.391
C-5-133-1	1.315	0.133	0.581
C-96634	1.315	0.133	0.581
C-5-140-1	1.66	0.14	0.786
C-96536	1.9	0.145	0.936
C-96549	2.375	0.154	1.258
C-96529	2.875	0.203	1.995
C-96547	3.5	0.216	2.61
C-96650	4	0.226	3.183
C-96633	4.5	0.237	3.717
C-97082	5	0.247	4.319
C-96640	5.563	0.258	5.053
C-96527	6.625	0.28	6.536

PIPE - Schedule 5 Structural (Metric)



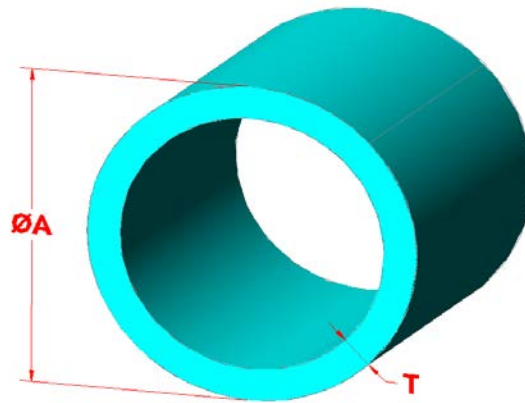
Die Name	A	T	kg/m
C-5-065-17	48.26	1.651	0.656
C-97046	60.325	1.651	0.821
C-97047	88.9	2.108	1.552
C-96622	101.6	2.108	1.78
C-97088	114.3	2.108	2.008

PIPE - Schedule 5 Structural (Imperial)



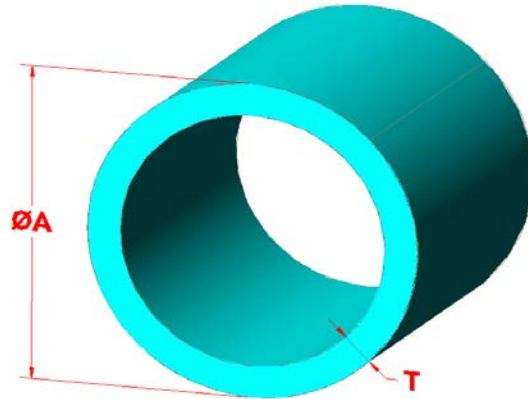
<u>Die Name</u>	<u>A</u>	<u>T</u>	<u>lb/ft</u>
C-5-065-17	1.9	0.065	0.441
C-97046	2.375	0.065	0.552
C-97047	3.5	0.083	1.043
C-96622	4	0.083	1.196
C-97088	4.5	0.083	1.354

PIPE - Schedule 80 Structural (Metric)



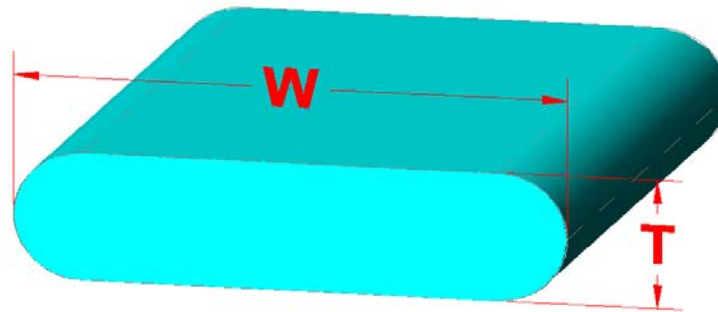
Die Name	A	T	kg/m
C-96790	21.336	3.734	0.588
C-5-147-1	21.336	3.734	0.56
C-97068	26.67	3.912	0.756
C-96528	33.401	4.547	1.113
C-96548	48.26	5.08	1.862
C-96525	60.325	5.537	2.575
C-96537	73.025	7.01	3.927
C-96524	88.9	7.62	5.256
C-96612	101.6	8.077	6.41
C-96864	114.3	8.56	7.68
C-97345	127	9.017	9.024
C-96543	141.3	9.525	10.651
C-97237	168.275	10.973	14.642

PIPE - Schedule 80 Structural (Imperial)



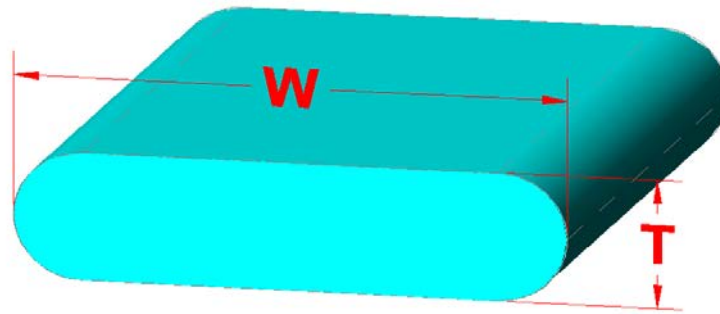
Die Name	D	T	lb/ft
C-96790	0.84	0.147	0.395
C-5-147-1	0.84	0.147	0.376
C-97068	1.05	0.154	0.508
C-96528	1.315	0.179	0.748
C-96548	1.9	0.2	1.251
C-96525	2.375	0.218	1.73
C-96537	2.875	0.276	2.639
C-96524	3.5	0.3	3.532
C-96612	4	0.318	4.307
C-96864	4.5	0.337	5.161
C-97345	5	0.355	6.064
C-96543	5.563	0.375	7.157
C-97237	6.625	0.432	0.576

RECTANGULAR BAR - Full Round Ends (Metric)



<u>Die Name</u>	<u>W</u>	<u>T</u>	<u>kg/m</u>
C-16-250-1	19.05	6.35	0.304
C-18117	19.05	6.35	0.311
C-16-250-4	25.4	6.35	0.412
C-16-125-2	38.1	3.175	0.321
C-14408	38.1	6.35	0.632
C-14466	38.1	9.525	0.927
C-14584	254	6.35	4.334
C-14587	304.8	6.35	5.203
C-14588	304.8	25.4	20.531
C-16-187-2	50.8	4.75	0.638
C-16-250-2	50.8	6.35	0.848
C-14410	50.8	6.35	0.851
C-14411	63.5	6.35	1.07
C-18115	63.5	9.525	1.621
C-14412	76.2	6.35	1.287
C-16-250-7	76.2	6.35	1.283
C-14433	76.2	9.525	1.954
C-18116	76.2	9.525	1.955
C-14440	76.2	12.7	2.582
C-14578	76.2	25.4	4.853
C-16-250-17	88.9	6.35	1.502
C-14413	101.6	6.35	1.726
C-14435	101.6	9.525	2.561
C-16-375-4	101.6	9.525	2.563
C-14452	101.6	12.7	3.392
C-14553	101.6	19.05	5.017
C-14514	101.6	25.4	6.621
C-14414	127	6.35	2.162
C-14523	127	9.525	3.217
C-14525	127	12.7	4.264
C-18131	146.05	6.35	2.545
C-14415	152.4	6.35	2.591
C-14524	152.4	9.525	3.868
C-14443	152.4	12.7	5.134
C-16-500-2	152.4	12.7	5.133
C-14579	152.4	25.4	10.078
C-14577	177.8	12.7	6.006

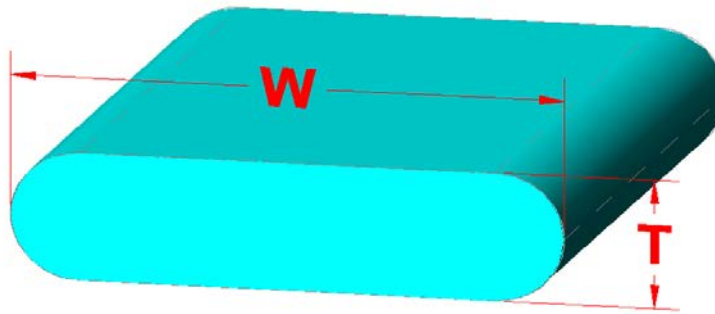
RECTANGULAR BAR - Full Round Ends (Metric)



<u>Die Name</u>	<u>W</u>	<u>T</u>	<u>kg/m</u>
C-14572	203.2	6.35	3.461
C-14573	203.2	9.525	5.176
C-14574	203.2	12.7	6.877
C-14586	203.2	25.4	13.563



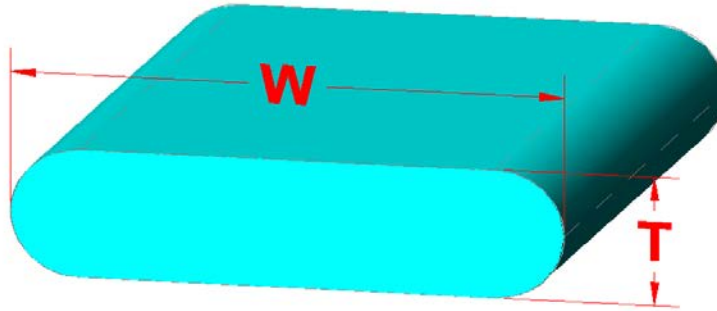
RECTANGULAR BAR - Full Round Ends (Imperial)



<u>Die Name</u>	<u>W</u>	<u>T</u>	<u>lb/ft</u>
C-16-250-1	0.75	0.25	0.204
C-18117	0.75	0.25	0.205
C-16-250-4	1	0.25	0.277
C-16-125-2	1.5	0.125	0.45
C-14408	1.5	0.25	0.425
C-14466	1.5	0.375	0.623
C-14584	10	0.25	2.912
C-14587	12	0.25	3.496
C-14588	12	1	13.796
C-16-187-2	2	0.187	0.429
C-16-250-2	2	0.25	0.429
C-14410	2	0.25	0.572
C-14411	2.5	0.25	0.719
C-18115	2.5	0.375	1.089
C-14412	3	0.25	0.865
C-16-250-7	3	0.25	0.862
C-14433	3	0.375	1.313
C-18116	3	0.375	1.314
C-14440	3	0.5	3.261
C-14578	3	1	3.261
C-16-250-17	3.5	0.25	1.009
C-14413	4.000:	0.25	1.16
C-14435	4	0.375	1.721
C-16-375-4	4	0.375	1.722
C-14452	4	0.5	2.279
C-14553	4	0.75	3.371
C-14514	4	1	4.449
C-14414	5	0.25	1.453
C-14523	5	0.375	2.162
C-14525	5	0.5	2.865
C-18131	5.75	0.25	1.71
C-14415	6	0.25	1.741
C-14524	6	0.375	2.599
C-14443	6	0.5	3.45
C-16-500-2	6	0.5	3.449
C-14579	6	1	6.772
C-14577	7	0.5	4.036



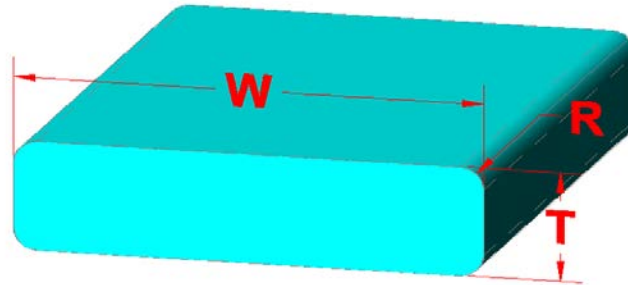
RECTANGULAR BAR - Full Round Ends (Imperial)



<u>Die Name</u>	<u>W</u>	<u>T</u>	<u>lb/ft</u>
C-14572	8	0.25	2.326
C-14573	8	0.375	3.478
C-14574	8	0.5	4.621
C-14586	8	1	9.114



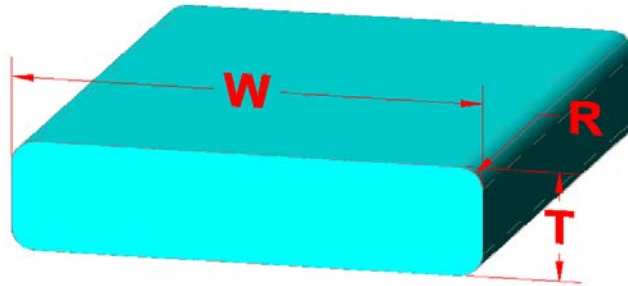
RECTANGULAR BAR - Round Corners (Metric)



<u>Die Name</u>	<u>W</u>	<u>T</u>	<u>R</u>	<u>kg/m</u>
C-18111	114.3	10.668	1.575	3.375
C-18112	114.3	13.208	1.575	4.179
C-18113	114.3	16.256	1.575	5.143
C-18114	114.3	20.193	1.575	6.39
A-2206	152.4	38.1	0.787	16.071
A-2207	152.4	50.8	0.787	21.428

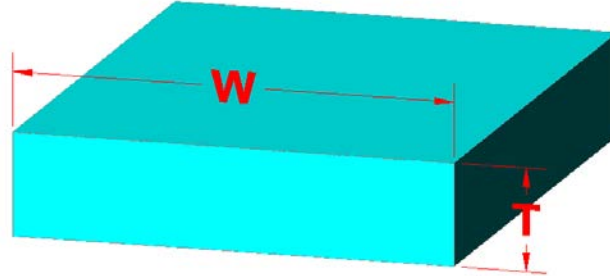


RECTANGULAR BAR - Round Corners (Imperial)



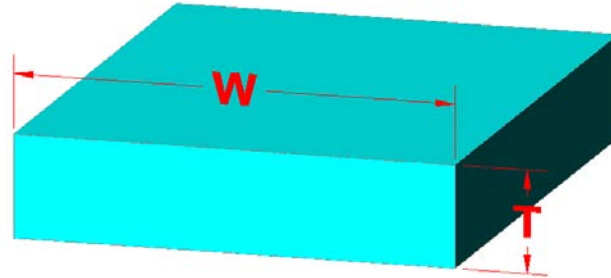
<u>Die Name</u>	<u>W</u>	<u>T</u>	<u>R</u>	<u>lb/ft</u>
C-18111	4.5	0.42	0.062	2.268
C-18112	4.5	0.32	0.062	2.88
C-18113	4.5	0.64	0.062	3.456
C-18114	4.5	0.795	0.062	4.294
A-2206	6	1.5	0.031	10.799
A-2207	6	2	0.031	14.399

RECTANGULAR BAR - Square Corners (Metric)



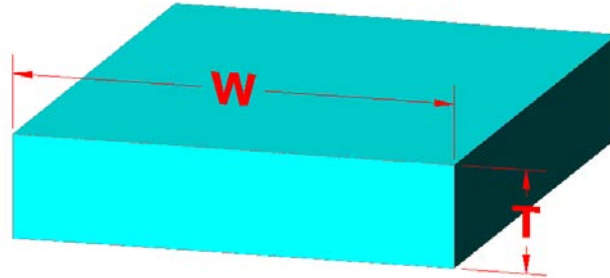
Die Name	W	T	kg/m
C-1-187-1	12.7	4.75	0.162
C-1-250-15	12.7	6.35	0.217
C-1-125-2	19.05	3.175	0.164
C-1-250-2	19.05	6.35	0.326
C-12504	19.05	9.525	0.493
C-12506	19.05	12.7	0.655
C-1-187-4	25.4	4.75	0.326
C-1-250-11	25.4	6.35	0.436
C-12520	25.4	7.925	0.546
C-12521	25.4	9.525	0.653
C-1-375-8	25.4	9.525	0.653
C-12523	25.4	12.7	0.871
C-12010	25.4	12.7	0.874
C-12524	25.4	15.875	1.091
C-12525	25.4	19.05	1.307
C-12529	28.575	6.35	0.49
C-12534	28.575	15.875	1.255
C-12539	31.75	4.75	0.409
C-12540	31.75	6.35	0.545
C-12541	31.75	9.525	0.682
C-1-375-3	31.75	9.525	0.816
C-12544	31.75	12.7	10.89
C-12548	31.75	25.4	2.177
C-13957	38.1	4.623	0.476
C-1-187-2	38.1	4.75	0.488
C-12565	38.1	6.35	0.653
C-12567	38.1	9.525	0.981
C-12569	38.1	12.7	1.313
C-12570	38.1	15.875	1.503
C-12571	38.1	19.05	1.96
C-12573	38.1	25.4	2.615
C-12754	38.1	25.4	2.939
C-12575	38.1	31.75	3.267
C-12579	41.3	6.35	0.714
C-12594	44.45	6.35	0.762

RECTANGULAR BAR - Square Corners (Metric)



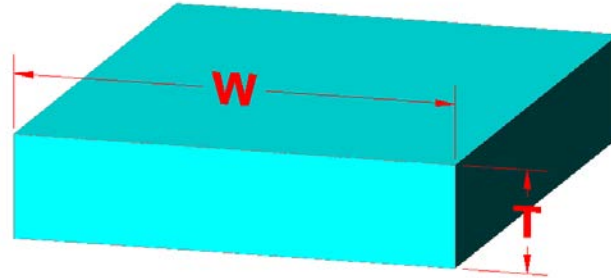
Die Name	W	T	kg/m
C-12596	44.45	9.525	1.143
C-12598	44.45	12.7	1.524
C-12599	44.45	15.875	1.912
C-12600	44.45	19.05	2.286
C-12602	44.45	25.4	3.048
C-12606	44.45	38.1	4.589
C-13707	254	6.35	4.369
C-13713	254	19.05	13.112
C-12625	50.8	3.175	0.436
C-12627	50.8	6.35	0.871
C-1-250-10	50.8	6.35	0.871
C-12628	50.8	7.925	1.086
C-12629	50.8	9.525	1.307
C-12631	50.8	12.7	1.743
C-1-625-7	50.8	15.875	2.177
C-12632	50.8	15.875	2.615
C-12633	50.8	19.05	2.615
C-12635	50.8	25.4	3.485
C-12646	50.8	25.4	3.485
C-12637	50.8	31.75	4.353
C-12025	50.8	38.1	5.244
C-12639	50.8	38.1	5.228
C-1-250-18	57.15	6.35	0.979
C-12664	57.15	6.35	0.981
C-12668	57.15	12.7	1.967
C-12670	57.15	19.05	2.951
C-12676	57.15	38.1	5.88
C-12680	57.15	50.8	7.837
C-14015	59.995	24.994	4.051
C-12998	60.503	34.925	5.704
C-1-093-1	63.5	2.362	0.405
C-19719	63.5	3.175	0.558
C-1-125-11	63.5	3.175	0.545
C-12704	63.5	4.75	0.818
C-1-250-16	63.5	6.35	1.088

RECTANGULAR BAR - Square Corners (Metric)



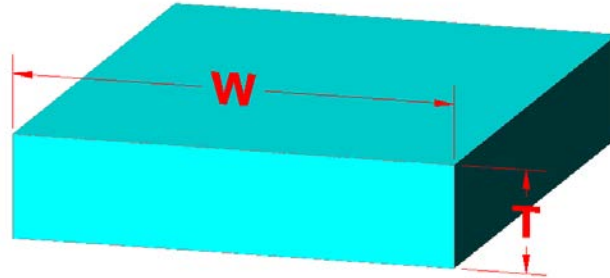
Die Name	W	T	kg/m
C-12705	63.5	6.35	1.089
C-12707	63.5	9.525	1.634
C-12709	63.5	12.7	2.179
C-12710	63.5	15.875	2.722
C-12711	63.5	19.05	3.281
C-12713	63.5	25.4	4.357
C-12715	63.5	31.75	5.447
C-12717	63.5	38.1	6.536
C-12721	63.5	50.8	8.709
C-14016	64.999	12.497	2.194
C-12574	69.85	12.7	2.386
C-12766	69.85	50.8	9.581
C-12770	69.85	63.5	11.975
C-12780	73.025	19.05	3.756
C-12798	76.2	4.75	0.984
C-12799	76.2	6.35	1.307
C-12081	76.2	9.525	1.96
C-12803	76.2	12.7	2.615
C-12030	76.2	12.7	2.622
C-14021	76.2	15.875	2.88
C-12773	76.2	15.875	3.267
C-12805	76.2	19.05	3.921
C-12807	76.2	25.4	5.228
C-12809	76.2	31.75	6.536
C-12811	76.2	38.1	7.843
C-12815	76.2	50.8	10.456
C-12819	76.2	63.5	13.071
C-13787	78.003	16.002	3.383
C-13008	80.01	24.994	5.401
C-1-250-23	88.9	6.35	1.524
C-12907	88.9	6.35	1.536
C-12909	88.9	9.525	2.0286
C-12911	88.9	12.7	3.051
C-12912	88.9	15.875	3.813
C-12913	88.9	19.05	4.573

RECTANGULAR BAR - Square Corners (Metric)



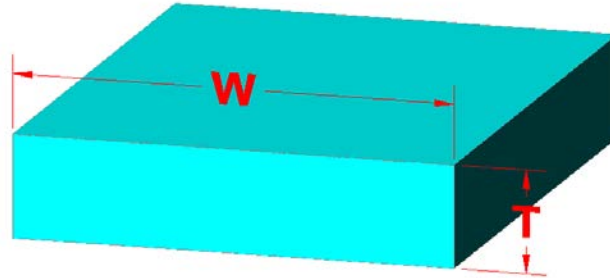
Die Name	W	T	kg/m
C-12915	88.9	25.4	6.067
C-12919	88.9	38.1	9.149
C-12921	88.9	44.45	10.669
C-12923	88.9	50.8	16.289
C-12927	88.9	63.5	15.297
C-12976	92.25	31.75	8.166
C-12980	95.25	44.45	11.434
C-1-125-18	101.6	3.175	0.871
C-1-187-9	101.6	4.75	1.302
C-19011	101.6	6.35	1.786
C-13029	101.6	6.35	1.743
C-18118	101.6	6.35	1.786
C-13030	101.6	7.925	2.161
C-13031	101.6	9.525	2.615
C-19027	101.6	9.525	2.679
C-13033	101.6	12.7	3.485
C-12040	101.6	12.7	3.497
C-12999	101.6	15.875	4.371
C-13035	101.6	19.05	5.228
C-13037	101.6	25.4	6.972
C-13039	101.6	31.75	8.713
C-12995	101.6	38.1	10.453
C-13045	101.6	50.8	13.935
C-13049	101.6	63.5	17.42
C-13106	107.95	31.75	9.255
C-843958	110.007	12.192	3.36
C-13164	114.3	6.35	1.967
C-13166	114.3	9.525	2.941
C-13168	114.3	12.7	3.921
C-13170	114.3	19.05	5.88
C-13172	114.3	25.4	7.868
C-13174	114.3	31.75	9.8
C-13176	114.3	38.1	11.764
C-13178	114.3	44.45	13.718
C-14023	119.99	15.011	4.859

RECTANGULAR BAR - Square Corners (Metric)



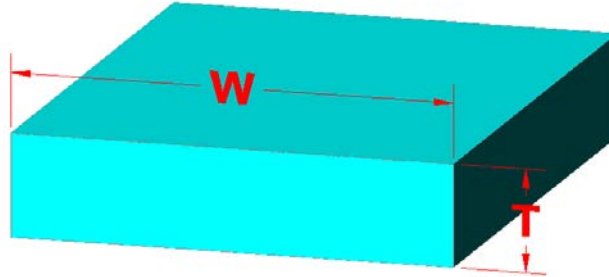
Die Name	W	T	kg/m
C-13256	120.65	31.75	10.343
C-13260	120.65	31.75	14.481
C-1-125-25	127	3.175	1.088
C-13317	127	4.75	1.633
C-13318	127	6.35	2.194
C-1-250-28	127	6.35	2.177
C-13320	127	9.525	3.267
C-13322	127	12.7	4.357
C-13323	127	15.875	5.445
C-13324	127	19.05	6.536
C-13325	127	25.4	8.709
C-13327	127	38.1	10.889
C-13329	127	38.1	13.065
C-12996	127	50.8	17.42
C-13001	130.175	28.575	10.081
C-13390	139.7	12.7	4.808
C-1-750-17	139.7	19.05	7.182
C-13400	139.7	44.45	16.767
C-13987	146.05	20.65	8.172
C-13454	152.4	3.175	1.307
C-1-250-26	152.4	6.35	2.612
C-13456	152.4	6.35	2.615
C-13458	152.4	9.525	3.921
C-13460	152.4	12.7	5.228
C-13461	152.4	15.875	6.555
C-13462	152.4	19.05	7.843
C-13464	152.4	25.4	10.456
C-12987	152.4	25.4	13.114
C-13468	152.4	31.75	15.678
C-13539	165.1	38.1	16.986
C-13599	177.8	6.35	3.06
C-13007	177.8	6.35	4.589
C-13603	177.8	12.7	6.097
C-13604	177.8	15.875	7.648
C-13605	177.8	19.05	9.179

RECTANGULAR BAR - Square Corners (Metric)



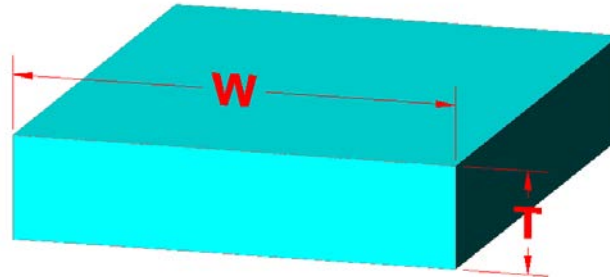
Die Name	W	T	kg/m
C-13607	177.8	25.4	12.198
C-13615	177.8	50.8	24.398
C-200295	180.01	5.004	2.429
C-14018	190.5	9.525	4.917
C-13631	190.5	12.7	6.555
C-13633	203.2	3.175	1.743
C-13634	203.2	4.75	2.612
C-13635	203.2	6.35	3.485
C-13637	203.2	9.525	5.228
C-13639	203.2	12.7	6.972
C-12774	203.2	25.4	10.45
C-13658	215.9	25.4	14.807

RECTANGULAR BAR - Square Corners (Imperial)



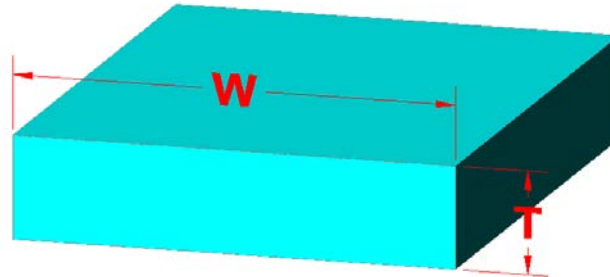
Die Name	W	T	lb/ft
C-1-187-1	0.5	0.187	0.109
C-1-250-15	0.5	0.25	0.146
C-1-125-2	0.75	0.125	0.11
C-1-250-2	0.75	0.25	0.219
C-12504	0.75	0.375	0.331
C-12506	0.75	0.5	0.44
C-1-187-4	1	0.187	0.219
C-1-250-11	1	0.25	0.293
C-12520	1	0.312	0.367
C-12521	1	0.375	0.439
C-1-375-8	1	0.375	0.439
C-12523	1	0.5	0.585
C-12010	1	0.5	0.587
C-12524	1	0.325	0.733
C-12525	1	0.75	0.878
C-12529	1.125	0.25	0.329
C-12534	1.125	0.625	0.843
C-12539	1.25	0.187	0.275
C-12540	1.25	0.25	0.366
C-12541	1.25	0.375	0.458
C-1-375-3	1.25	0.375	0.548
C-12544	1.25	0.5	0.732
C-12548	1.25	1	1.463
C-13957	1.5	0.182	0.32
C-1-187-2	1.5	0.187	0.328
C-12565	1.5	0.25	0.439
C-12567	1.5	0.375	0.659
C-12569	1.5	0.5	0.822
C-12570	1.5	0.625	1.01
C-12571	1.5	0.75	1.317
C-12573	1.5	1	1.757
C-12754	1.5	1	1.975
C-12575	1.5	1.25	2.195
C-12579	1.656	0.625	0.48
C-12594	1.75	0.25	0.512

RECTANGULAR BAR - Square Corners (Imperial)



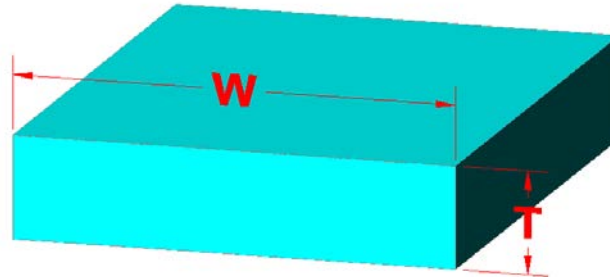
Die Name	W	T	lb/ft
C-12596	1.75	0.375	0.768
C-12598	1.75	0.5	1.024
C-12599	1.75	0.625	1.285
C-12600	1.75	0.75	1.536
C-12602	1.75	1	2.048
C-12606	1.75	1.5	3.084
C-13707	10	0.25	2.936
C-13713	10	0.75	8.811
C-12625	2	0.125	0.293
C-12627	2	0.25	0.585
C-1-250-10	2	0.25	0.585
C-12628	2	0.312	0.73
C-12629	2	0.375	0.878
C-12631	2	0.5	1.171
C-1-625-7	2	0.625	1.463
C-12632	2	0.625	1.463
C-12633	2	0.75	1.757
C-12635	2	1	2.342
C-12646	2	1	2.342
C-12637	2	1.25	2.925
C-12025	2	1.5	3.524
C-12639	2	1.5	3.513
C-1-250-18	2.25	0.25	0.658
C-12664	2.25	0.25	0.659
C-12668	2.25	0.5	1.322
C-12670	2.25	0.75	1.983
C-12676	2.25	1.5	3.951
C-12680	2.25	2	5.266
C-14015	2.362	0.984	2.722
C-12998	2.382	0.375	3.833
C-1-093-1	2.5	0.093	0.272
C-19719	2.5	0.125	0.375
C-1-125-11	2.5	0.125	0.366
C-12704	2.5	0.187	0.55
C-1-250-16	2.5	0.25	0.731

RECTANGULAR BAR - Square Corners (Imperial)



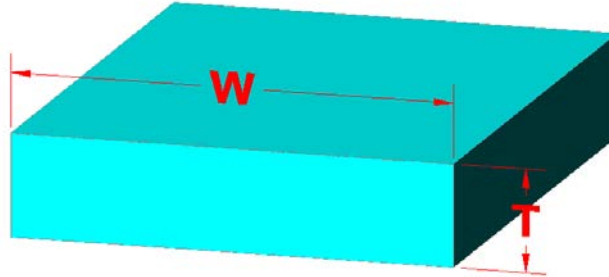
Die Name	W	T	lb/ft
C-12705	2.5	0.25	0.732
C-12707	2.5	0.375	1.098
C-12709	2.5	0.5	1.464
C-12710	2.5	0.625	1.829
C-12711	2.5	0.75	2.205
C-12713	2.5	1	2.928
C-12715	2.5	1.25	3.66
C-12717	2.5	1.5	4.392
C-12721	2.5	2	5.852
C-14016	2.559	0.492	1.474
C-12574	2.75	0.5	1.603
C-12766	2.75	2	6.438
C-12770	2.75	2.5	8.047
C-12780	2.875	0.75	2.524
C-12798	3	0.187	0.661
C-12799	3	0.25	0.878
C-12081	3	0.375	1.317
C-12803	3	0.5	1.757
C-12030	3	0.5	1.762
C-14021	3	0.551	1.935
C-12773	3	0.625	2.195
C-12805	3	0.75	2.635
C-12807	3	1	3.6
C-12809	3	1.25	4.392
C-12811	3	1.5	5.27
C-12815	3	2	7.026
C-12819	3	2.5	8.783
C-13787	3.071	0.63	2.273
C-13008	3.15	0.984	3.629
C-1-250-23	3.5	0.25	1.024
C-12907	3.5	0.25	1.032
C-12909	3.5	0.375	1.536
C-12911	3.5	0.5	2.05
C-12912	3.5	0.625	2.562
C-12913	3.5	0.75	3.073

RECTANGULAR BAR - Square Corners (Imperial)



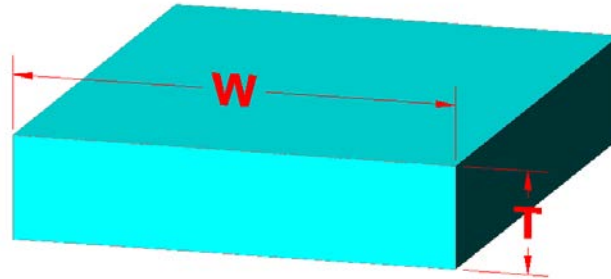
Die Name	W	T	lb/ft
C-12915	3.5	1	4.097
C-12919	3.5	1.5	6.148
C-12921	3.5	1.75	7.169
C-12923	3.5	2	10.946
C-12927	3.5	2.5	10.279
C-12976	3.75	1.25	5.487
C-12980	3.75	1.75	7.683
C-1-125-18	4	0.125	0.585
C-1-187-9	4	0.187	0.875
C-19011	4	0.25	1.2
C-13029	4	0.25	1.171
C-18118	4	0.25	1.2
C-13030	4	0.312	1.452
C-13031	4	0.375	1.757
C-19027	4	0.375	1.8
C-13033	4	0.5	2.342
C-12040	4	0.5	2.35
C-12999	4	0.625	2.937
C-13035	4	0.75	3.513
C-13037	4	1	4.685
C-13039	4	1.25	5.855
C-12995	4	1.5	7.024
C-13045	4	2	9.364
C-13049	4	2.5	11.706
C-13106	4.25	1.25	6.219
C-843958	4.331	0.48	2.439
C-13164	4.5	0.25	1.322
C-13166	4.5	0.375	1.976
C-13168	4.5	0.5	2.635
C-13170	4.5	0.75	3.951
C-13172	4.5	1	5.287
C-13174	4.5	1.25	6.585
C-13176	4.5	1.5	7.905
C-13178	4.5	1.75	9.218
C-14023	4.724	0.591	3.265

RECTANGULAR BAR - Square Corners (Imperial)



Die Name	W	T	lb/ft
C-13256	4.75	1.25	6.95
C-13260	4.75	1.25	9.731
C-1-125-25	5	0.125	0.731
C-13317	5	0.187	1.097
C-13318	5	0.25	1.474
C-1-250-28	5	0.25	1.463
C-13320	5	0.375	2.195
C-13322	5	0.5	2.928
C-13323	5	0.625	3.659
C-13324	5	0.75	4.392
C-13325	5	1	5.825
C-13327	5	1.5	7.317
C-13329	5	1.5	8.779
C-12996	5	2	11.706
C-13001	5.125	1.125	6.774
C-13390	5.5	0.5	3.231
C-1-750-17	5.5	0.75	8.05
C-13400	5.5	1.75	11.267
C-13987	5.75	0.813	5.491
C-13454	6	0.125	0.878
C-1-250-26	6	0.25	1.755
C-13456	6	0.25	1.757
C-13458	6	0.375	2.635
C-13460	6	0.5	3.513
C-13461	6	0.625	4.405
C-13462	6	0.75	5.27
C-13464	6	1	7.026
C-12987	6	1	8.812
C-13468	6	1.25	10.535
C-13539	6.5	1.5	11.414
C-13599	7	0.25	2.056
C-13007	7	0.25	3.084
C-13603	7	0.5	4.097
C-13604	7	0.625	5.139
C-13605	7	0.75	6.168

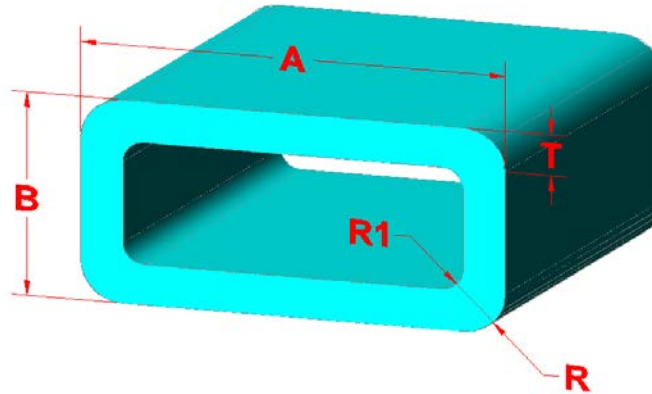
RECTANGULAR BAR - Square Corners (Imperial)



Die Name	W	T	lb/ft
C-13607	7	1	8.197
C-13615	7	2	16.395
C-200295	7.087	0.197	1.632
C-14018	7.5	0.375	3.304
C-13631	7.5	0.5	4.405
C-13633	8	0.125	1.171
C-13634	8	0.187	1.755
C-13635	8	0.25	2.342
C-13637	8	0.375	3.513
C-13639	8	0.5	4.685
C-12774	8	1	9.366
C-13658	8.5	1	9.95

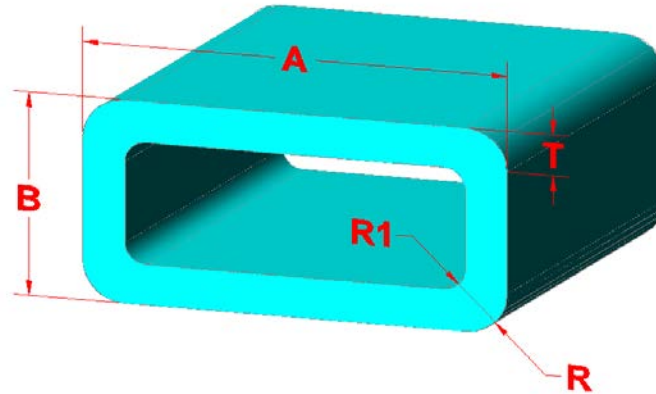


RECTANGULAR TUBES (Metric)



Die Name	A	B	T	R	R1	kg/m
C-98194	50.8	25.4	3.175	6.35	3.175	1.128
C-98193	76.2	38.1	3.175	9.525	6.35	1.734
C-98228	101.6	50.8	3.048	4.75	1.702	2.363
C-94236	38.1	19.305	3.175			0.874
C-98212	38.1	25.4	3.175			0.979
C-94335	50.8	25.4	2.413			0.93
C-98213	50.8	25.4	2.413			1.196
C-94343	50.8	31.75	6.35			2.405
C-94162	50.8	38.1	2.413			1.089
C-94191	63.5	38.1	3.048			1.572
C-94196	76.2	25.4	3.048			1.572
C-94190	76.2	38.1	3.048			1.781
C-98238	76.2	38.1	4.775			2.711
C-93400	76.2	50.8	4.775			3.03
C-94213	76.2	50.8	6.35			3.918
C-94198	101.6	38.1	3.048			2.2
C-95684	101.6	44.45	2.286			1.747
C-98215	101.6	44.45	3.175			2.394
C-94153	101.6	50.8	3.048			2.409
C-290048	101.6	50.8	3.175			2.508
C-94152	101.6	50.8	4.075			3.685
C-98192	101.6	76.2	4.775			4.342
C-94243	101.6	76.2	6.35			5.682
C-94010	114.3	50.8	4.775			4.012
C-94200	127	44.45	3.175			2.841
C-98214	127	50.8	3.175			2.939
C-94235	127	50.8	4.775			4.354
C-94260	127	63.5	4.775			4.668
C-94286	127	76.2	3.175			3.387
C-95984	152.4	44.45	3.175			3.268
C-94278	152.4	50.8	3.048			3.246
C-94284	152.4	76.2	4.775			5.67
C-98211	152.4	101.6	4.75			6.287
C-98237	152.4	101.6	6.35			8.305

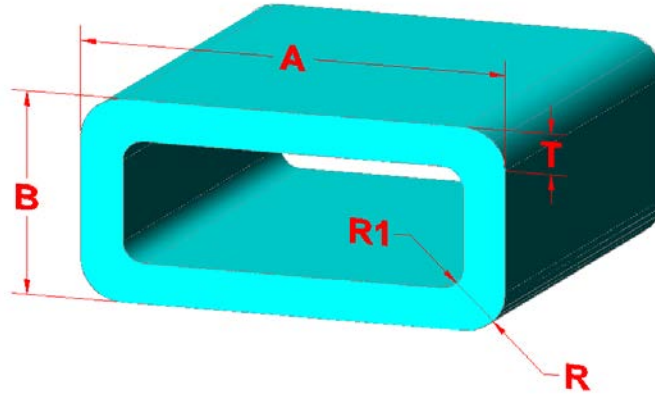
RECTANGULAR TUBES (Metric)



<u>Die Name</u>	<u>A</u>	<u>B</u>	<u>T</u>	<u>R</u>	<u>R1</u>	<u>kg/m</u>
C-98754	203.2	76.2	4.75			6.923
C-7-120-6	76.2	38.1	3.048			1.781
C-7-187-2	152.4	50.8	4.75			4.967

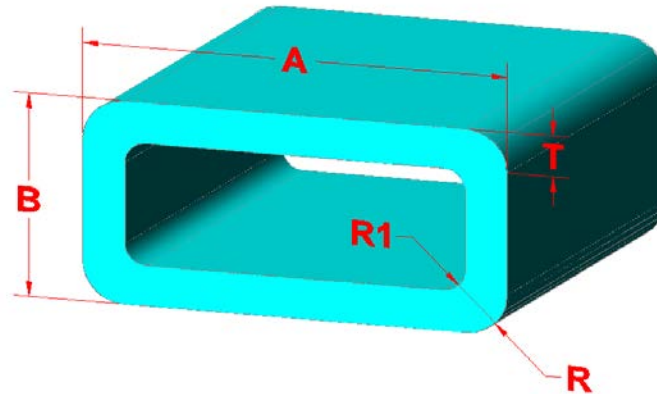


RECTANGULAR TUBES (Imperial)



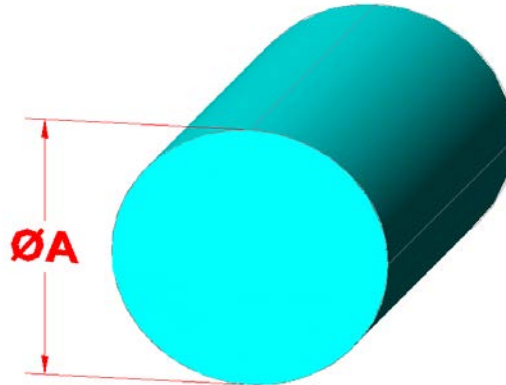
Die Name	A	B	T	R	R1	lb/ft
C-98194	2	1	0.125	0.25	0.125	0.758
C-98193	3	1.5	0.125	0.375	0.25	1.165
C-98228	4	2	0.12	0.187	0.067	1.588
C-94236	1.5	0.75	0.125			0.587
C-98212	1.5	1	0.125			0.658
C-94335	2	1	0.095			0.625
C-98213	2	1	0.095			0.804
C-94343	2	1.25	0.25			1.616
C-94162	2	1.5	0.095			0.732
C-94191	2.5	1.5	0.12			1.056
C-94196	3	1	0.12			1.056
C-94190	3	1.5	0.12			1.197
C-98238	3	1.5	0.188			1.822
C-93400	3	2	0.188			2.036
C-94213	3	2	0.25			2.633
C-94198	4	1.5	0.12			1.478
C-95684	4	1.75	0.09			1.174
C-98215	4	1.75	0.125			1.609
C-94153	4	2	0.12			1.619
C-290048	4	2	0.125			1.685
C-94152	4	2	0.187			2.476
C-98192	4	3	0.188			2.918
C-94243	4	3	0.25			3.818
C-94010	4.5	2	0.188			2.696
C-94200	5	1.75	0.125			1.909
C-98214	5	2	0.125			1.975
C-94235	5	2	0.188			2.926
C-94260	5	2.5	0.188			3.137
C-94286	5	3	0.125			2.276
C-95984	6	1.75	0.125			2.196
C-94278	6	2	0.12			2.181
C-94284	6	3	0.188			3.81
C-98211	6	4	0.187			4.225
C-98237	6	4	0.25			5.581

RECTANGULAR TUBES (Imperial)



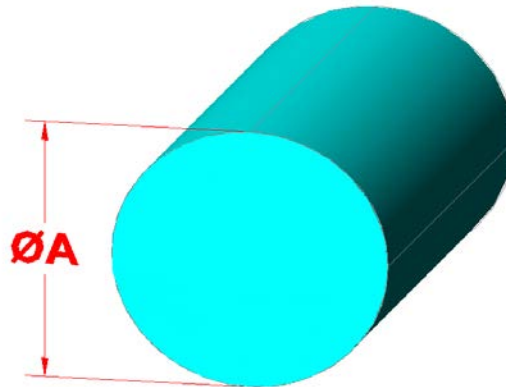
Die Name	<u>A</u>	<u>B</u>	<u>T</u>	<u>R</u>	<u>R1</u>	<u>lb/ft</u>
C-98754	8	3	0.187			4.652
C-7-120-6	3	1.5	0.12			1.197
C-7-187-2	6	2	0.187			3.338

ROUND ROD (Metric)



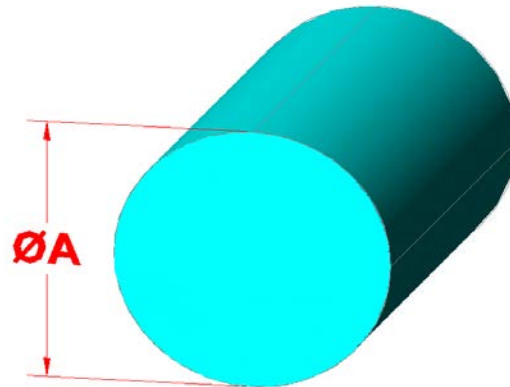
Die Name	A	I	kg/m
C-16013	15.875		0.534
C-16014	17.475		0.647
C-16017	19.050		0.769
C-16229	19.050		0.772
C-16582	19.101	0.127	0.769
C-16018	20.650		0.908
C-16020	22.225		1.048
C-16022	23.825		1.204
C-16557	25.197	0.127	1.347
C-16583	25.273	0.127	1.356
C-16024	25.400		1.369
C-16580	25.400	0.152	1.368
C-16025	26.187		1.460
A-2318	26.975	0.152	1.582
C-16029	28.575		1.732
C-16586	28.575	0.152	1.732
C-16581	30.150	0.152	1.929
C-16033	31.750		2.138
C-16587	31.750	0.152	2.138
C-16233	33.350		2.368
C-16035	34.925		2.588
C-16600	34.925	0.152	2.597
A-2316	36.525	0.152	2.900
C-16199	36.830		2.878
C-16039	38.100		3.079
C-16588	38.100	0.178	3.078
C-16042	39.700		3.339
C-16043	41.275		3.615
C-16589	41.275	0.178	3.613
C-16045	44.450		4.192
C-16226	44.450	0.178	4.192
C-16568	47.625	0.178	4.828
C-16052	50.800		5.475
C-16590	50.800	0.305	5.472

ROUND ROD (Metric)



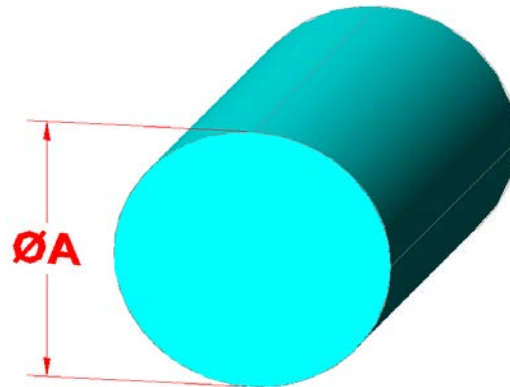
Die Name	A	I	kg/m
C-16054	53.975		6.179
C-16055	55.575		6.552
C-16056	57.150		6.929
C-16591	57.150	0.305	6.926
C-16119	60.325		7.721
C-16227	60.325	0.305	7.721
C-16059	63.500		8.554
C-16574	63.500	0.203	8.551
C-16060	66.675		9.430
C-16062	69.850		10.350
C-16592	69.850	0.305	9.811
C-16068	76.200		12.318
C-16593	76.200	0.203	12.313
C-16070	77.775		12.829
C-16071	79.375		13.365
C-16595	79.756		13.492
C-16072	82.550		14.456
C-8-375-0	9525.000		0.192
C-8-437-0	11.100		0.262
C-8-625-0	15.875		0.534
C-8-687-0	17.450		0.646
C-8-750-0	19.050		0.769
C-8-1000-0	25.400		1.368
C-8-1500-0	38.100		3.079
C-8-1625-0	41.275		3.613

ROUND ROD (Imperial)



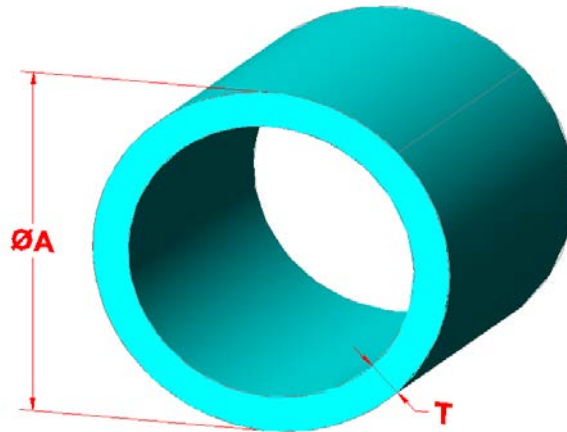
Die Name	A	I	lb/ft
C-16013	0.625		0.359
C-16014	0.688		0.435
C-16017	0.750		0.517
C-16229	0.750		0.519
C-16582	0.752	0.005	0.517
C-16018	0.812		0.610
C-16020	0.875		0.704
C-16022	0.938		0.809
C-16557	0.992	0.005	0.905
C-16583	0.995	0.005	0.911
C-16024	1.000		0.920
C-16580	1.000	0.006	0.919
C-16025	1.031		0.981
A-2318	1.062	0.006	0.981
C-16029	1.125		1.164
C-16586	1.125	0.006	1.164
C-16581	1.187	0.006	1.296
C-16033	1.250		1.437
C-16587	1.250	0.006	1.437
C-16233	1.313		1.591
C-16035	1.375		1.739
C-16600	1.375	0.006	1.745
A-2316	1.438	0.006	1.949
C-16199	1.450		1.934
C-16039	1.500		2.069
C-16588	1.500	0.007	2.068
C-16042	1.563		2.244
C-16043	1.625		2.489
C-16589	1.625	0.007	2.428
C-16045	1.750		2.817
C-16226	1.750	0.007	2.817
C-16568	1.875	0.007	3.313
C-16052	2.000		3.679
C-16590	2.000	0.012	3.677

ROUND ROD (Imperial)



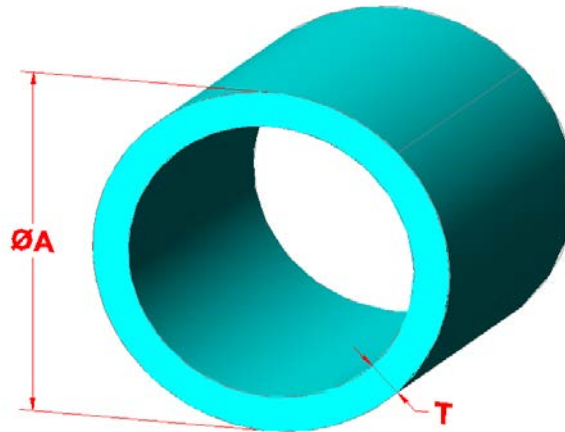
Die Name	A	I	lb/ft
C-16054	2.125		4.152
C-16055	2.188		4.403
C-16056	2.250		4.654
C-16591	2.250	0.012	4.654
C-16119	2.375		5.316
C-16227	2.375	0.012	5.188
C-16059	2.500		5.748
C-16574	2.500	0.008	5.891
C-16060	2.625		6.337
C-16062	2.750		6.995
C-16592	2.750	0.012	6.593
C-16068	3.000		8.313
C-16593	3.000	0.008	8.274
C-16070	3.062		8.621
C-16071	3.125		8.981
C-16595	3.140		9.066
C-16072	3.250		9.714
C-8-375-0	0.375		0.129
C-8-437-0	0.437		0.176
C-8-625-0	0.625		0.359
C-8-687-0	0.688		0.434
C-8-750-0	0.750		0.517
C-8-1000-0	1.000		0.919
C-8-1500-0	1.500		2.069
C-8-1625-0	1.625		2.428

ROUND TUBES (Metric)



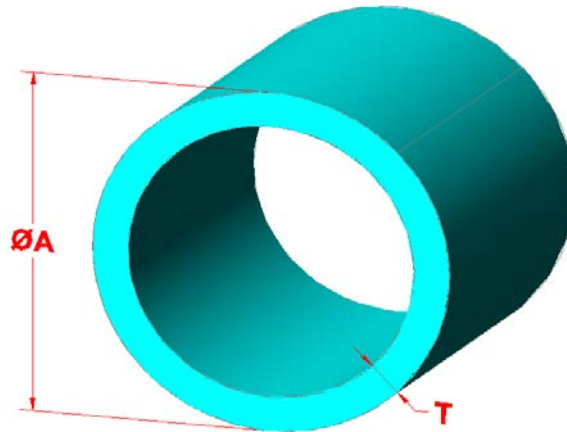
Die Name	D	T	kg/m
C-18633	79.248	14.478	7.789
C-18634	90.805	15.24	9.715
C-18632	102.235	20.955	14.379
C-97320	18.999	6.248	0.676
C-97009	19.05	1.651	0.244
C-18644	25.4	1.905	0.418
C-96743	25.4	2.159	0.472
C-96841	25.4	3.175	0.6
C-97167	25.4	4.75	0.836
C-97208	25.4	4.953	0.859
C-97382	25.4	5.588	0.939
C-97342	26.543	3.302	0.647
C-295135	27.432	3.937	0.787
C-97153	30.15	5.944	1.22
C-97154	30.15	7.569	1.451
C-996372	30.531	3.734	0.85
C-97350	31.75	2.159	0.574
C-97411	31.75	3.048	0.743
C-96595	31.75	3.048	0.771
C-97198	31.75	6.35	1.369
C-97381	31.75	8.534	1.682
C-996371	34.62	4.191	1.189
C-97343	35.408	4.597	1.202
C-295108	36.551	5.207	1.383
C-97277	38.1	1.651	0.51
C-97194	38.1	3.175	0.941
C-96745	38.1	4.775	1.354
C-97417	44.45	6.35	2.06
C-18636	44.856	2.261	0.749
C-97369	46.99	8.407	2.756
C-97204	47.625	7.925	2.67
C-996144	47.625	7.925	3.109
C-296536	48.209	3.683	1.391
C-295061	48.26	9.144	3.036

ROUND TUBES (Metric)



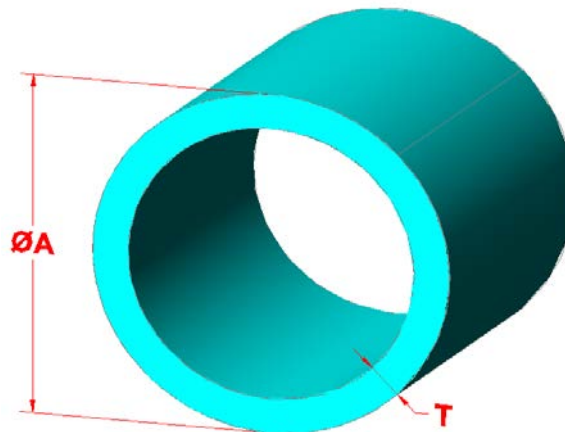
Die Name	D	T	kg/m
C-295144	50.8	2.413	0.99
C-96794	50.8	3.048	1.235
C-97195	50.8	6.35	2.394
C-96870	50.8	9.144	3.232
C-295125	50.8	12.7	4.104
C-996265	51.562	7.899	2.926
C-97147	53.975	9.525	3.592
C-97155	53.975	10.693	3.927
C-97323	55.55	1.651	0.759
C-97043	57.15	1.651	0.777
C-97414	57.15	6.35	2.747
C-97312	57.15	7.95	3.319
C-97093	57.15	9.525	3.85
C-97239	60.325	4.572	4.895
C-97352	60.325	11.913	4.786
C-97352	60.655	11.481	4.786
C-97212	62.484	15.875	6.279
C-97305	63.5	2.032	1.06
C-97055	63.5	3.048	1.564
C-97344	63.5	3.175	1.625
C-97363	63.5	3.759	1.906
C-97413	63.5	3.759	2.38
C-97197	63.5	6.35	3.079
C-97145	63.5	11.1	4.936
C-97075	63.5	12.7	5.475
C-97192	63.5	15.875	6.415
C-295076	63.881	9.652	4.444
C-98586	69.85	13.97	6.624
C-97400	76.2	1.575	1.037
C-96621	76.2	1.651	1.324
C-96876	76.2	3.175	1.967
C-97095	76.2	3.175	2.311
C-97109	76.2	3.759	2.429
C-97030	76.2	4.775	2.893

ROUND TUBES (Metric)



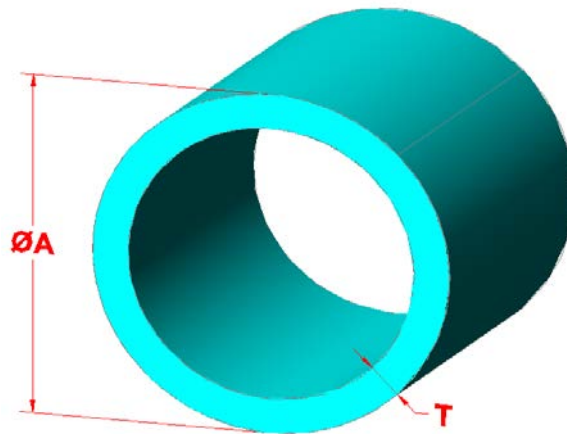
Die Name	D	T	kg/m
C-97199	76.2	6.35	3.762
C-97115	76.2	9.525	5.389
C-97253	76.2	12.7	6.854
C-97140	82.55	8.128	5.133
C-97349	85.725	4.75	3.264
C-96836	88.9	3.175	2.31
C-97096	88.9	3.759	2.716
C-97058	88.9	3.962	2.822
C-97024	88.9	4.75	3.397
C-97300	88.9	13.97	8.883
C-97173	88.9	19.787	11.815
C-97362	90.475	15.062	9.639
C-18507	101.6	1.27	1.085
C-97337	101.6	1.6	1.357
C-97385	101.6	10829	1.548
C-96877	101.6	3.175	2.652
C-97110	101.6	3.962	3.283
C-96878	101.6	4.75	3.909
C-97039	101.6	5.08	4.161
C-96727	101.6	6.35	5.13
C-97141	101.6	9.677	7.548
C-96858	101.6	16.256	11.773
C-97375	104.14	15.748	11.831
C-295023	106.68	24.13	16.934
C-97077	114.3	4075	4.415
C-295036	114.3	24.994	18.974
C-98582	120.65	6.35	6.158
C-96880	127	3.175	3.336
C-97053	127	3.759	3.93
C-97377	127	3.962	4.133
C-96879	127	4.75	4.927
C-97388	139.7	3.962	4.563
C-97159	139.7	5.461	6.218
C-97262	152.4	3.962	4.987

ROUND TUBES (Metric)



Die Name	D	T	kg/m
C-96881	152.4	4.75	5.951
C-97118	152.4	9.525	11.545
C-96526	161.925	6.35	8.381
C-5-170-1	27	4.318	0.833
C-5-190-1	33.35	4.826	1.167
C-5-220-3	55.88	5.588	2.378
C-5-073-4	7.899	1.854	0.092
C-5-065-2	12.7	1.651	0.155
C-5-050-2	15.875	1.27	0.158
C-5-155-1	19.05	2.921	0.4
C-5-176-1	21.209	4.47	0.635
C-5-065-4	22.225	1.651	0.289
C-5-080-2	22.225	2.032	0.348
C-080-10	23.063	2.032	0.363
C-5-167-1	25.4	4.242	0.76
C-5-187-2	25.4	4.75	0.832
C-5-265-1	26.67	7.62	1.138
C-5-350-3	28.575	8.89	1.484
C-5-270-4	30.226	6.858	1.36
C-5-075-4	31.75	1.651	0.482
C-5-125-3	31.75	3.175	0.769
C-5-300-3	31.75	7.62	1.56
C-5-065-11	34.925	1.651	0.466
C-5-315-1	36.83	8.001	1.957
C-5-050-4	38.1	1.27	0.396
C-5-068-1	38.1	1.727	0.533
C-5-380-1	38.1	9.652	2.329
C-5-122-1	41.275	3.099	1.005
C-5-065-18	443.45	1.651	0.6
C-5-312-8	47.6	7.925	2.658
C-5-144-1	50.495	3.658	1.449
C-5-125-1	50.8	3.175	1.283
C-5-300-5	50.8	7.62	2.79
C-5-375-3	57.15	9.525	3.847

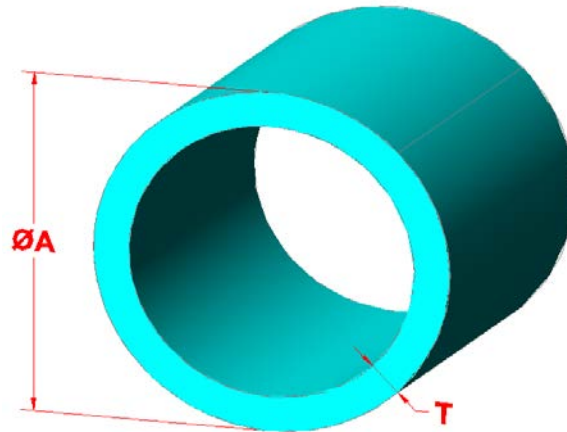
ROUND TUBES (Metric)



Die Name	<u>D</u>	<u>T</u>	kg/m
C-5-406-1	58.725	10.312	4.235
C-5-065-12	63.5	1.651	0.866
C-5-109-2	63.5	2.54	1.426
C-5-500-6	71.425	12.7	6.322
C-5-095-9	81.001	2.413	1.6
C-5-437-1	82.55	8.128	6.28
C-5-477-1	82.55	11.1	7.238
C-5-188-4	88.9	4.775	3.408
C-5-315-2	92.202	8.001	5.71
C-5-510-1	95.25	12.954	9.038
C-5-827-1	99.009	21.006	13.888
C-5-625-2	101.6	16.256	11.559
C-5-500-3	114.3	12.7	10.945
C-5-500-8	127	12.7	12.315
C-5-188-7	152.4	4.775	5.979
C-5-250-7	165.1	6.35	8.551

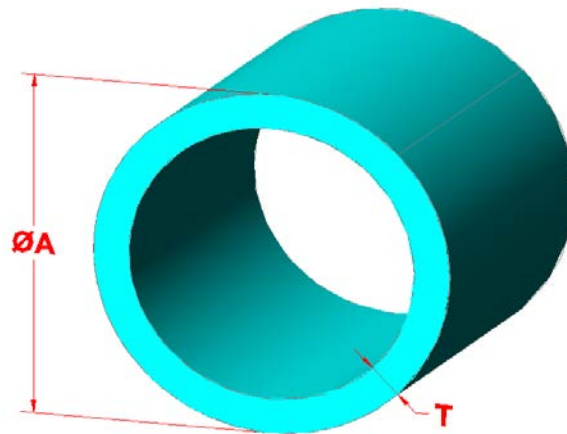


ROUND TUBES (Imperial)



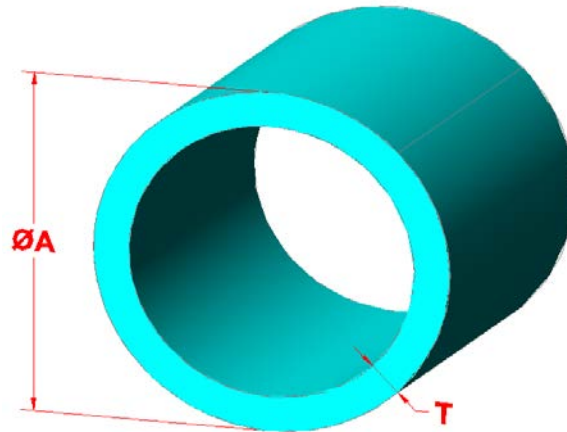
Die Name	D	T	lb/ft
C-18633	3.12	0.56	5.234
C-18634	3.575	0.6	6.528
C-18632	4.025	0.825	9.662
C-97320	0.748	0.246	0.454
C-97009	0.75	0.065	0.164
C-18644	1	0.075	0.293
C-96743	1	0.095	0.317
C-96841	1	0.125	0.403
C-97167	1	0.188	0.562
C-97208	1	0.195	0.577
C-97382	1	0.22	0.631
C-97342	1.045	0.13	0.435
C-295135	1.08	0.155	0.529
C-97153	1.187	0.234	0.82
C-97154	1.187	0.298	0.975
C-996372	1.202	0.147	0.571
C-97350	1.25	0.085	0.364
C-97411	1.25	0.125	0.518
C-96595	1.25	0.12	0.518
C-97198	1.25	0.25	0.92
C-97381	1.25	0.336	1.13
C-996371	1.368	0.165	1.222
C-97343	1.394	0.181	0.808
C-295108	1.439	0.205	0.929
C-97277	1.5	0.065	0.343
C-97194	1.5	0.125	0.632
C-96745	1.5	0.188	0.91
C-97417	1.75	0.25	1.384
C-18636	1.766	0.089	0.503
C-97369	1.85	0.331	1.852
C-97204	1.875	0.312	1.794
C-996144	1.875	0.312	2.089
C-296536	1.898	0.145	0.935
C-295061	1.902	0.36	2.04

ROUND TUBES (Imperial)



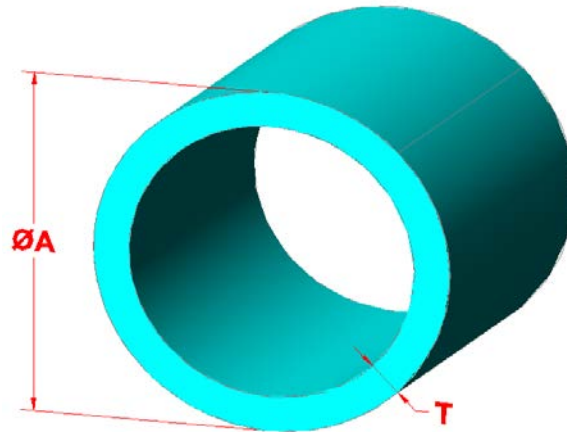
Die Name	D	T	lb/ft
C-295144	2	0.095	0.665
C-96794	2	0.12	0.862
C-97195	2	0.25	1.609
C-96870	2	0.36	2.172
C-295125	2	0.5	2.758
C-996265	2.03	0.311	1.966
C-97147	2.125	0.375	0.709
C-97155	2.0125	0.421	2.639
C-97323	2.187	0.065	0.51
C-97043	2.25	0.065	0.99
C-97414	2.25	0.25	1.846
C-97312	2.25	0.313	2.597
C-97093	2.25	0.375	2.587
C-97239	2.375	0.18	1.453
C-97352	2.375	0.469	3.289
C-97352	2.375	0.452	3.216
C-97212	2.46	0.625	4.219
C-97305	2.5	0.08	0.712
C-97055	2.5	0.12	1.015
C-97344	2.5	0.125	1.092
C-97363	2.5	0.148	1.281
C-97413	2.5	0.188	1.599
C-97197	2.5	0.25	2.12
C-97145	2.5	0.437	3.679
C-97075	2.5	0.5	3.679
C-97192	2.5	0.625	4.311
C-295076	2.515	0.38	2.986
C-98586	2.75	0.55	4.451
C-97400	3	0.065	0.697
C-96621	3	0.083	0.89
C-96876	3	0.125	1.322
C-97095	3	0.148	1.533
C-97109	3	0.148	1.553
C-97030	3	0.188	1.944

ROUND TUBES (Imperial)



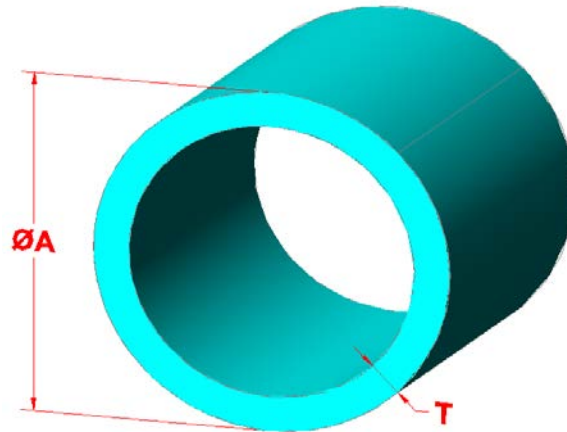
Die Name	D	T	lb/ft
C-97199	3	0.25	2.528
C-97115	3	0.375	3.621
C-97253	3	0.5	4.606
C-97140	3.25	0.32	3.449
C-97349	3.375	0.187	2.193
C-96836	3.5	0.125	1.498
C-97096	3.5	0.148	1.848
C-97058	3.5	0.154	1.896
C-97024	3.5	0.187	2.035
C-97300	3.5	0.55	5.969
C-97173	3.5	0.779	7.939
C-97362	3.562	0.593	6.477
C-18507	4	0.05	0.729
C-97337	4	0.063	0.912
C-97385	4	0.072	1.04
C-96877	4	0.125	1.782
C-97110	4	0.156	2.206
C-96878	4	0.187	2.623
C-97039	4	0.2	2.796
C-96727	4	0.25	3.447
C-97141	4	0.381	5.072
C-96858	4	0.64	7.911
C-97375	4.1	0.62	7.95
C-295023	4.2	0.95	11.379
C-97077	4.5	0.187	2.967
C-295036	4.5	0.984	12.75
C-98582	4.75	0.25	4.138
C-96880	5	0.125	2.242
C-97053	5	0.148	2.641
C-97377	5	0.156	2.777
C-96879	5	0.187	3.311
C-97388	5.5	0.156	3.663
C-97159	5.5	0.215	4.178
C-97262	6	0.156	3.351

ROUND TUBES (Imperial)



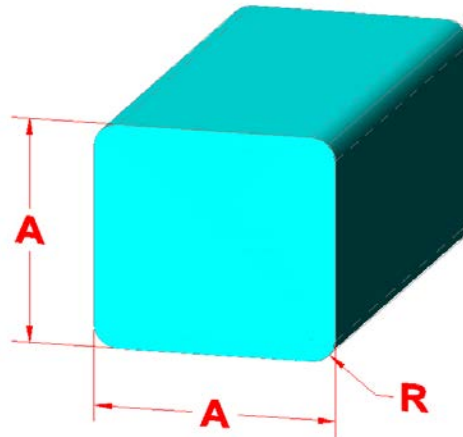
Die Name	D	T	lb/ft
C-96881	6	0.187	4.018
C-97118	6	0.375	7.758
C-96526	6.375	0.25	5.632
C-5-170-1	1.063	0.17	0.56
C-5-190-1	1.313	0.19	0.784
C-5-220-3	2.2	0.22	1.598
C-5-073-4	0.311	0.073	0.062
C-5-065-2	0.5	0.065	0.104
C-5-050-2	0.625	0.05	0.106
C-5-155-1	0.75	0.115	0.27
C-5-176-1	0.835	0.176	0.427
C-5-065-4	0.875	0.08	0.194
C-5-080-2	0.875	0.08	0.234
C-080-10	0.94	0.08	0.563
C-5-167-1	1	0.167	0.511
C-5-187-2	1	0.187	0.559
C-5-265-1	1.05	0.3	0.765
C-5-350-3	1.125	0.35	0.997
C-5-270-4	1.19	0.27	0.914
C-5-075-4	1.25	0.065	0.324
C-5-125-3	1.25	0.125	0.517
C-5-300-3	1.25	0.3	1.048
C-5-065-11	1.375	0.065	0.313
C-5-315-1	1.45	0.315	1.315
C-5-050-4	1.5	0.05	0.266
C-5-068-1	1.5	0.068	0.358
C-5-380-1	1.5	0.38	1.565
C-5-122-1	1.625	0.122	0.675
C-5-065-18	1.75	0.065	0.403
C-5-312-8	1.874	0.312	1.786
C-5-144-1	1.988	0.144	0.974
C-5-125-1	2	0.125	0.862
C-5-300-5	2	0.3	1.875
C-5-375-3	2.25	0.375	2.585

ROUND TUBES (Imperial)



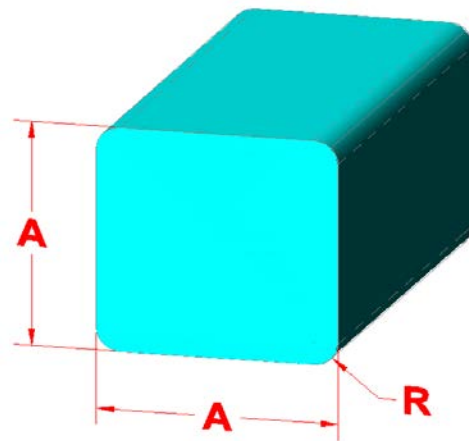
Die Name	D	T	lb/ft
C-5-406-1	2.312	0.406	2.846
C-5-065-12	2.5	0.065	0.582
C-5-109-2	2.5	0.109	0.958
C-5-500-6	2.812	0.5	4.248
C-5-095-9	3.189	0.095	1.075
C-5-437-1	3.25	0.32	4.521
C-5-477-1	3.25	0.437	1.633
C-5-188-4	3.5	0.188	2.29
C-5-315-2	3.63	0.315	3.837
C-5-510-1	3.75	0.51	6.073
C-5-827-1	3.898	0.827	9.332
C-5-625-2	4	0.625	7.767
C-5-500-3	4.5	0.5	7.355
C-5-500-8	5	0.5	8.275
C-5-188-7	6	0.188	4.018
C-5-250-7	6.5	0.25	5.746

SQUARE BAR (Metric)



Die Name	A	R	kg/m
C-11528	12.7		0.436
C-11535	15.875		0.68
C-11500	19.05		0.981
C-11785	22.225		1.333
C-11502	25.4		1.743
C-11504	31.75		2.723
C-11505	34.925		3.293
C-11508	44.45		5.344
C-11501	50.8		6.969
C-11512	57.15		8.82
C-11534	63.5		10.889
C-200712	69.85		13.222
C-11518	76.2		15.737
C-1-625-11	15.875		0.682
C-1-750-1	19.05		0.979
C-1-500-14	12.7		0.436

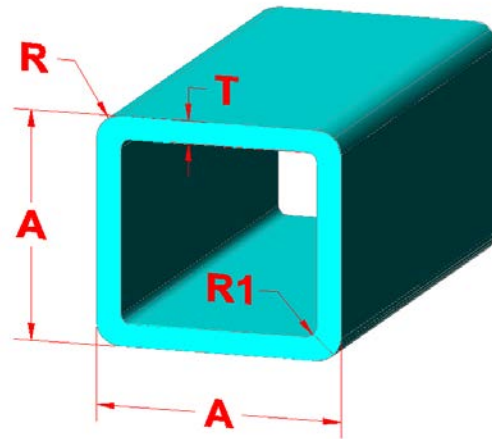
SQUARE BAR (Imperial)



Die Name	<u>A</u>	<u>R</u>	<u>lb/ft</u>
C-11528	0.5		0.293
C-11535	0.625		0.457
C-11500	0.75		0.659
C-11785	0.875		0.896
C-11502	1		1.171
C-11504	1.25		1.83
C-11505	1.375		2.213
C-11508	1.75		3.591
C-11501	2		4.683
C-11512	2.25		5.927
C-11534	2.5		7.317
C-200712	2.75		8.885
C-11518	3		10.575
C-1-625-11	0.625		0.458
C-1-750-1	0.75		0.658
C-1-500-14	0.5		0.293

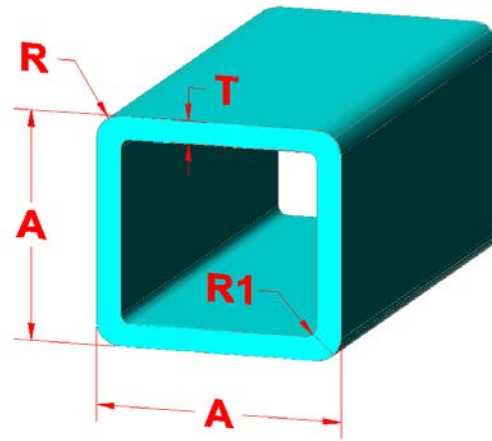


SQUARE TUBES (Metric)



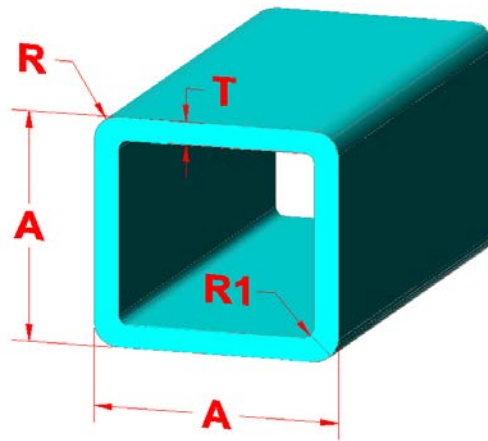
Die Name	A	T	R	R1	kg/m
C-96476	25.4	2.286	3.099	0.787	0.551
C-23-093-1	25.4	2.362	2.362		0.549
C-95675	25.4	3.048	3.962	0.914	0.702
C-895891	25.705	3.048	3.962	0.914	0.702
C-23-120-6	31.75	3.048	2.032		0.894
C-98188	31.75	3.048	6.096	3.048	0.88
C-23-120-3	38.1	3.408	4.87		1.064
C-98116	38.1	3.048	7.925	4.877	1.064
C-23-120-5	50.8	3.048	1.575		1.566
C-23-120-2	50.8	3.048	6.477		1.458
C-95920	50.8	3.048	9.525	6.477	1.464
C-295126	50.8	4.75	1.499	0.787	2.363
C-94212	50.8	6.35	6.35	3.988	2.961
C-796126	50.8	6.35	9.525	3.175	2.862
C-23-120-4	63.5	3.048	9.652		1.832
C-98209	63.5	3.175	6.35	3.175	1.999
C-98218	76.2	3.048	2.388	0.787	2.396
C-94282	76.2	4.775	3.175	3.175	3.698
C-98220	76.2	6.35	11.1	4.75	4.557
C-295184	76.2	7.925	11.1	3.175	5.588
C-94214	101.6	3.175	12.7	9.525	3.211
C-98217	101.6	4.75	2.388	0.787	4.969
C-796128	101.6	4.75	9.525	4.775	4.822
C-98210	101.6	6.35	12.7	6.35	6.252
C-94288	127	4.775	12.7	7.925	6.098
C-94287	127	9.525	19.05	9.525	11.496
C-98190	152.4	6.35	19.05	12.7	9.55
C-6-062-3	19.05	1.575			0.298
C-94342	25.4	2.413			0.6
C-95683	25.4	3.175			0.763
C-94239	31.75	2.413			0.765
C-94336	31.75	3.048			0.945
C-95770	98.1	1.397			0.747
C-94164	38.1	2.413			0.93

SQUARE TUBES (Metric)



Die Name	A	T	R	R1	kg/m
C-6-120-5	38.1	3.048			1.153
C-94189	38.1	3.048			1.115
C-94165	38.1	4.775			1.725
C-95991	41.275	7.62			2.778
C-94295	44.45	3.048			1.363
C-94159	50.8	2.413			1.26
C-94161	50.8	3.048			1.573
C-98181	50.8	4.75			2.363
C-98231	50.8	6.35			3.06
C-6-120-4	63.5	3.048			1.99
C-94285	63.5	6.35			3.935
C-94192	76.2	3.048			2.411
C-99667	76.2	3.81			2.979
C-98200	76.2	3.81			2.99
C-98000	76.2	4.775			3.685
C-6-250-2	76.2	6.35			4.79
C-93279	76.2	6.35			4.79
C-94246	101.6	3.175			3.377
C-94242	101.6	3.556			4.025
C-94205	101.6	4.775			4.996
C-98219	101.6	6.35			6.533
C-94210	101.6	7.925			8.033
C-98191	114.3	3.175			3.811
C-94697	127	9.525			12.084
C-95848	133.35	4.75			6.599

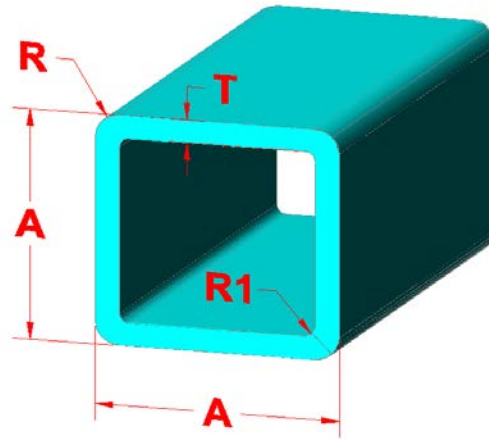
SQUARE TUBES (Imperial)



Die Name	A	T	R	R1	lb/ft
C-96476	1	0.09	0.122	0.031	0.37
C-23-093-1	1	0.093	0.093		0.369
C-95675	1	0.12	0.156	0.036	0.471
C-895891	1.012	0.12	0.156	0.036	0.472
C-23-120-6	1.25	0.12	0.08		0.591
C-98188	1.25	0.12	0.24	0.12	0.591
C-23-120-3	1.5	0.12	0.192		0.715
C-98116	1.5	0.095	0.312	0.192	0.715
C-23-120-5	2	0.12	0.062		1.052
C-23-120-2	2	0.12	0.255		0.98
C-95920	2	0.12	0.375	0.255	0.984
C-295126	2	0.187	0.059	0.031	1.588
C-94212	2	0.25	0.25	0.157	1.99
C-796126	2	0.25	0.375	0.125	1.923
C-23-120-4	2.5	0.12	0.38		1.231
C-98209	2.5	0.125	0.25	0.125	1.343
C-98218	3	0.12	0.094	0.031	1.61
C-94282	3	0.188	0.125	0.125	2.485
C-98220	3	0.25	0.437	0.187	3.062
C-295184	3	0.312	0.437	0.125	3.755
C-94214	4	0.125	0.5	0.375	2.158
C-98217	4	0.187	0.094	0.031	3.339
C-796128	4	0.187	0.375	0.188	3.24
C-98210	4	0.25	0.5	0.25	4.201
C-94288	5	0.188	0.5	0.312	4.098
C-94287	5	0.375	0.75	0.375	7.725
C-98190	6	0.25	0.75	0.5	6.417
C-6-062-3	0.75	0.062			0.2
C-94342	1	0.095			0.496
C-95683	1	0.125			0.513
C-94239	1.25	0.095			0.514
C-94336	1.25	0.12			0.635
C-95770	1.5	0.075			0.502
C-94164	1.5	0.095			0.625



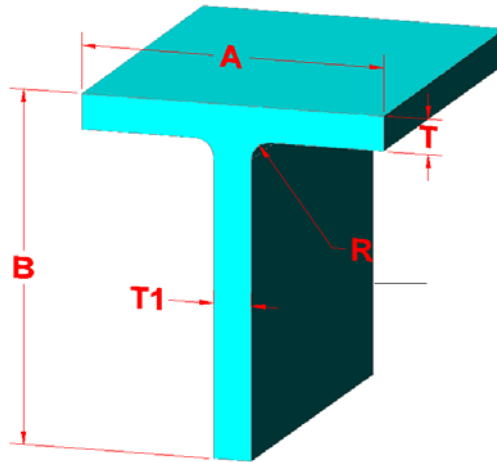
SQUARE TUBES (Imperial)



Die Name	A	T	R	R1	lb/ft
C-6-120-5	1.5	0.12			0.775
C-94189	1.5	0.12			0.776
C-94165	1.5	0.188			1.159
C-95991	1.625	0.3			1.867
C-94295	1.75	0.12			0.916
C-94159	2	0.095			0.847
C-94161	2	0.12			1.057
C-98181	2	0.187			1.588
C-98231	2	0.25			2.056
C-6-120-4	2.5	0.12			1.337
C-94285	2.5	0.25			2.644
C-94192	3	0.12			1.62
C-99667	3	0.15			2.002
C-98200	3	0.15			2.009
C-98000	3	0.188			2.476
C-6-250-2	3	0.25			3.219
C-93279	3	0.25			3.219
C-94246	4	0.125			2.269
C-94242	4	0.14			2.705
C-94205	4	0.188			3.357
C-98219	4	0.25			4.39
C-94210	4	0.312			5.398
C-98191	4.5	0.125			2.561
C-94697	5	0.375			8.12
C-95848	5.25	0.187			4.434



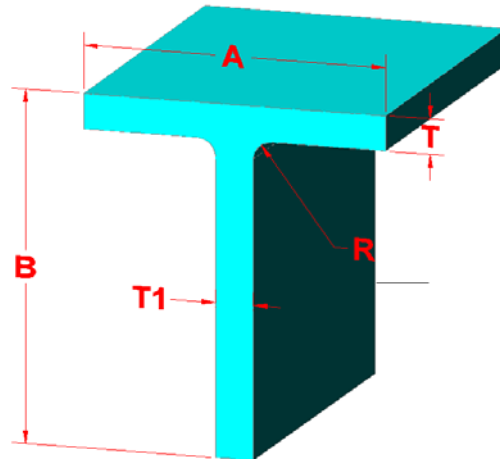
T SECTIONS - Miscellaneous (Metric)



Die Name	A	B	T	T1	R	kg/m
C-91067	31.75	22.225	3.175	3.175		0.436
C-31905	31.75	31.75	3.175	3.175	3.175	0.527
C-31509	38.1	38.1	4.75	4.75	4.75	0.949
C-31066	38.1	38.1	6.35	6.35		1.198
C-31515	50.8	38.1	4.75	4.75	4.75	1.112
C-31012	50.8	50.8	4.75	4.75		1.247
C-31516	50.8	50.8	6.35	6.35		1.68
C-31903	50.8	63.5	6.35	6.35	6.35	1.899
C-31068	50.8	76.2	6.35	6.35	3.175	2.08
C-31904	63.5	101.6	7.925	7.925	7.925	3.432
C-31520	76.2	76.2	9.525	9.525	9.525	3.781
C-31521	101.6	63.5	7.925	7.925	7.925	3.438
C-31065	101.6	101.6	4.75	4.75		2.551
C-31522	101.6	101.6	9.525	9.525	9.525	5.088
C-260207	101.6	127	12.7	12.7	9.5	7.5
C-31907	101.6	177.8	9.525	9.525	9.525	7.07
C-31523	127	76.2	9.525	9.525	9.525	5.09



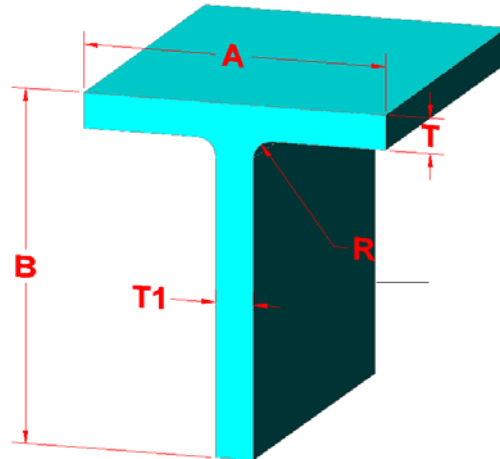
T SECTIONS - Miscellaneous (Imperial)



Die Name	A	B	T	T1	R	lb/ft
C-91067	1.25	0.875	0.125	0.125		0.293
C-31905	1.25	1.25	0.125	0.125	0.125	0.354
C-31509	1.5	1.5	0.187	0.187	0.187	638
C-31066	1.5	1.5	0.25	0.25		0.825
C-31515	2	1.5	0.187	0.187	0.187	0.747
C-31012	2	2	0.187	0.187		0.838
C-31516	2	2	0.25	0.25		1.129
C-31903	2.5	2.5	0.25	0.25	0.25	1.276
C-31068	2	3	0.25	0.25	0.125	1.398
C-31904	2.5	4	0.312	0.312	0.312	2.306
C-31520	3	3	0.375	0.375	0.375	2.541
C-31521	4	2.5	0.312	0.312	0.312	2.31
C-31065	4	4	0.187	0.187		1.714
C-31522	4	4	0.375	0.375	0.375	3.419
C-260207	4	5	0.5	0.5	0.374	5.04
C-31907	4	7	0.375	0.375	0.375	4.751
C-31523	5	3	0.375	0.375	0.375	3.42



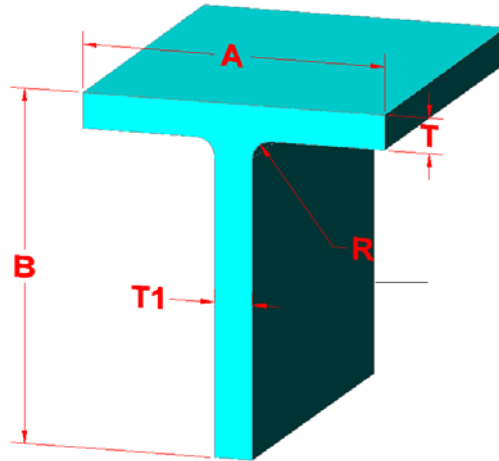
T SECTIONS - Miscellaneous (Metric)



<u>Die Name</u>	<u>A</u>	<u>B</u>	<u>T</u>	<u>T1</u>	<u>R</u>	<u>kg/m</u>
C-31071	101.6	101.6	9.525	9.525	12.7	5.566



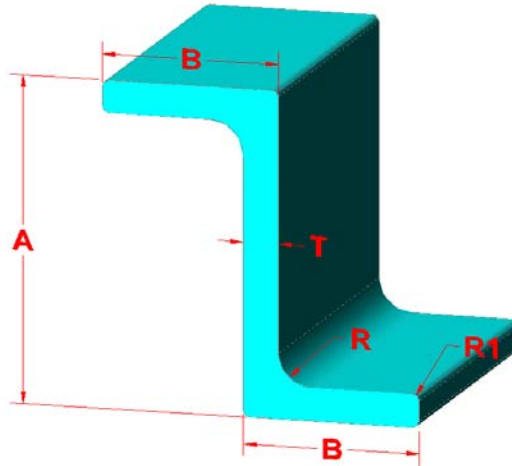
T SECTIONS - Miscellaneous (Imperial)



Die Name	A	B	T	T1	R	lb/ft
C-31071	4	4	0.375	0.375	0.5	3.74



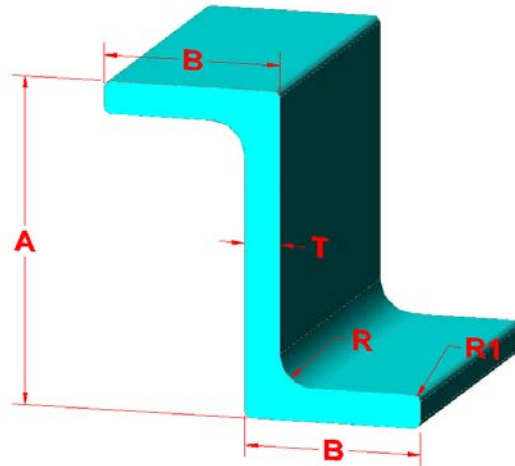
Z-BARS - Miscellaneous (Metric)



Die Name	A	B	C	T	T1	T2	R1	R2	kg/m
C-34275	104.775	80.975	9.525	9.525	9.525	9.525	7.925	7.925	6.418



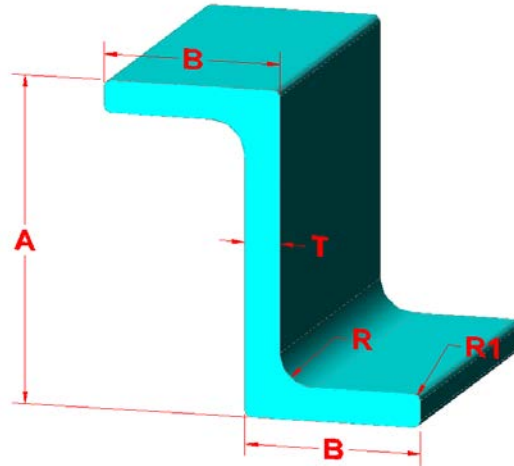
Z-BARS - Miscellaneous (Imperial)



Die Name	A	B	C	T	T1	T2	R1	R2	lb/ft
C-34275	4.125	3.188	0.375	0.375	0.375	0.375	0.312	0.312	4.313



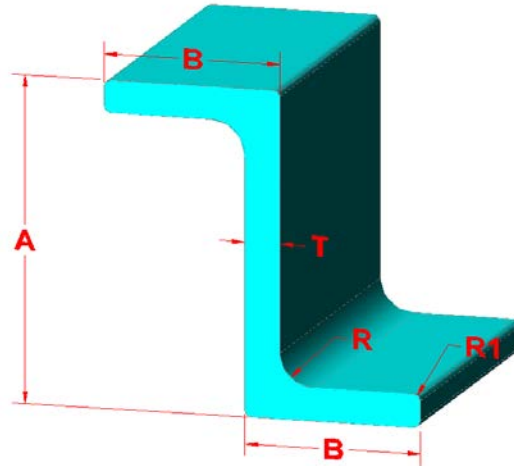
Z-BARS - Standard Structural (Metric)



<u>Die Name</u>	<u>A</u>	<u>B</u>	<u>T</u>	<u>R</u>	<u>R1</u>	<u>kg/m</u>
C-32-125-4	25.4	28.575	3.175			0.653
C-34010	50.8	31.75	4.75	4.75	4.75	1.378
C-19036	60.325	31.75	4.775	4.775	3.175	1.491
C-34271	60.325	31.75	4.775	4.775	3.175	1.488
C-34272	76.2	68.275	6.35	7.925	6.35	3.456
C-34013	76.2	69.85	7.925	7.925	7.925	4.351
C-34273	101.6	77.3775	6.35	7.925	6.35	4.217



Z-BARS - Standard Structural (Imperial)



Die Name	A	B	T	R	R1	lb/ft
C-32-125-4	1	1.125	0.125			0.439
C-34010	2	1.25	0.187	0.187	0.187	0.926
C-19036	2.375	1.25	0.188	0.188	0.125	1.002
C-34271	2.375	1.25	0.188	0.188	0.125	1
C-34272	3	2.688	0.25	0.312	0.25	2.333
C-34013	3	2.75	0.312	0.312	0.312	2.924
C-34273	4	3.062	0.25	0.312	0.25	2.834